

FIG. 1

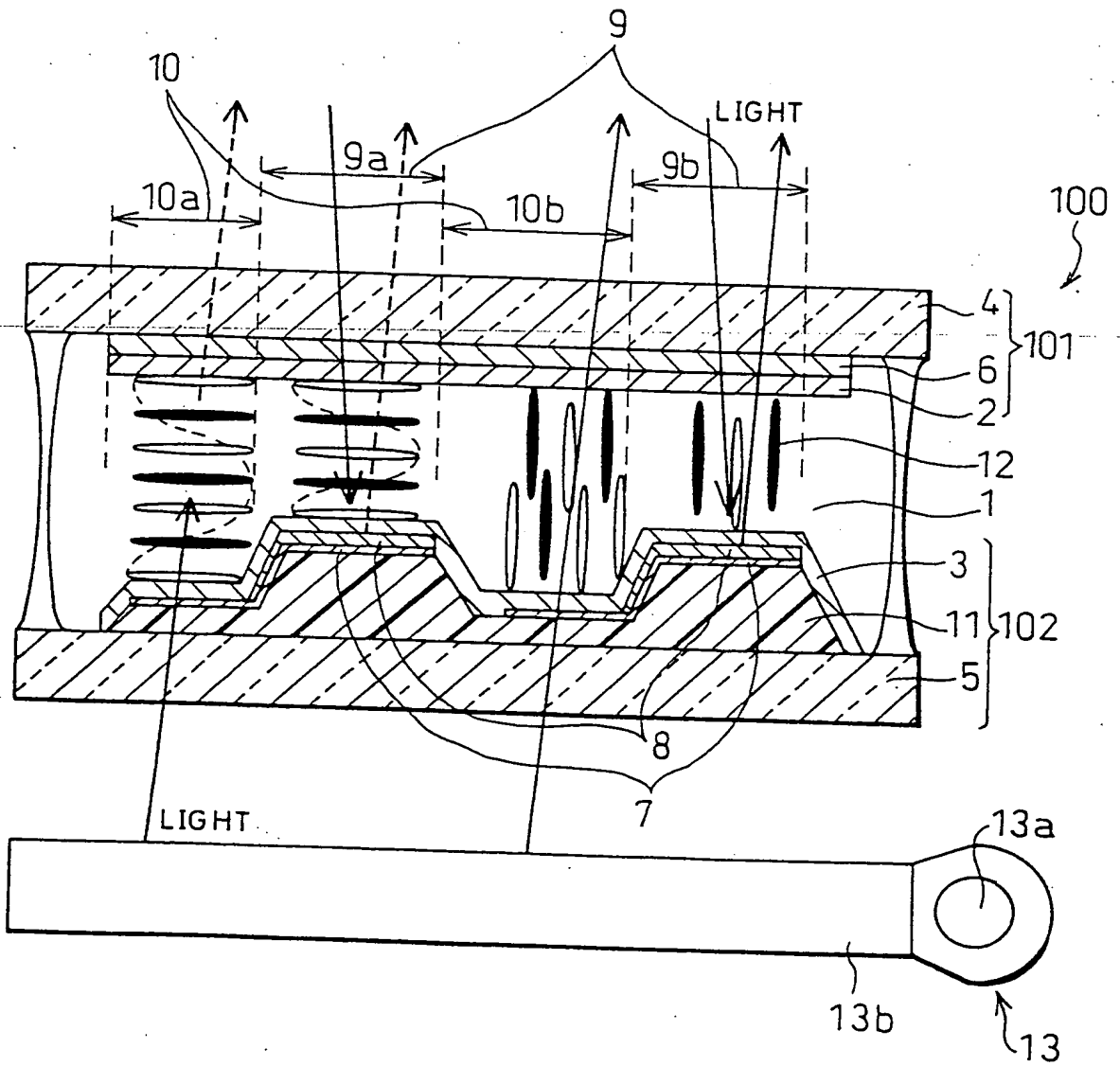
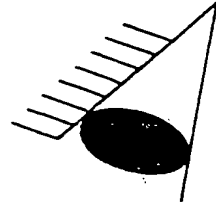


FIG. 2

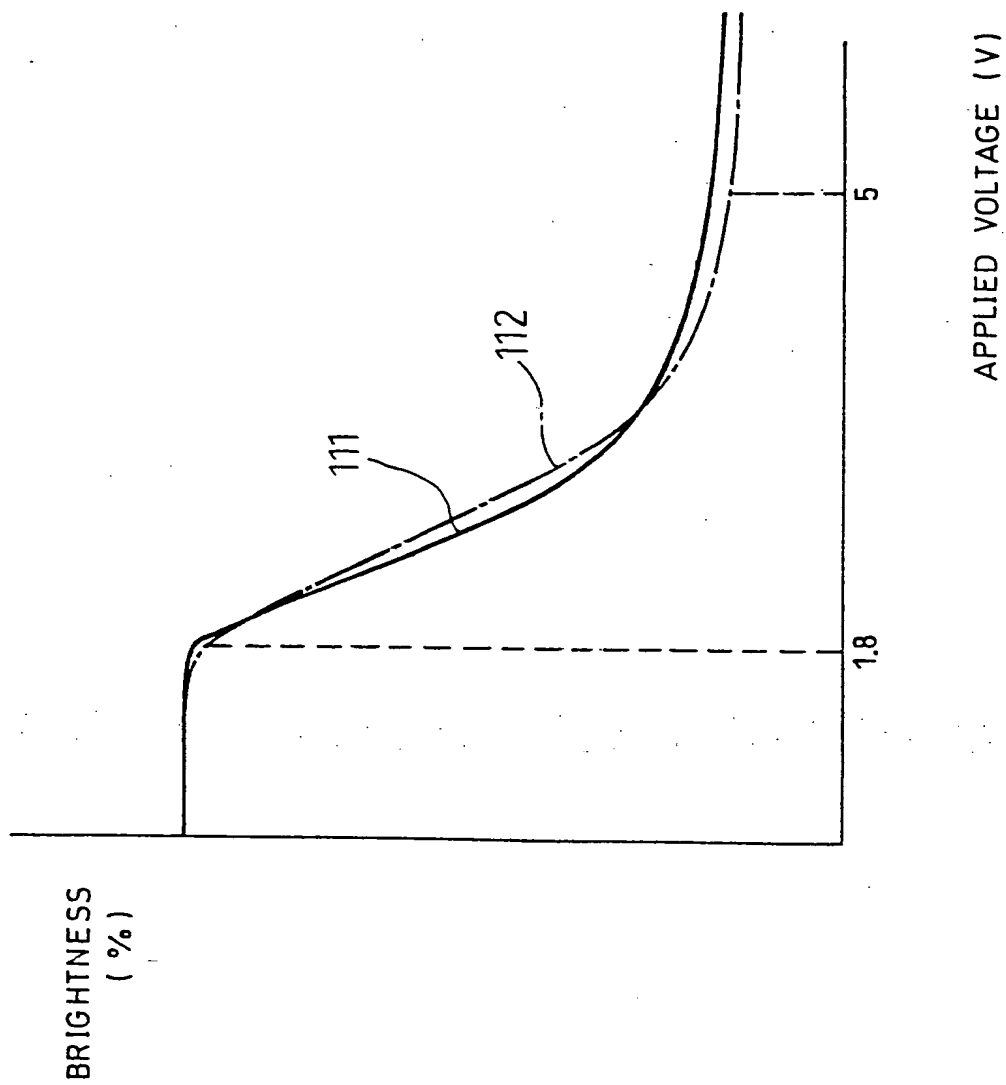


FIG. 3

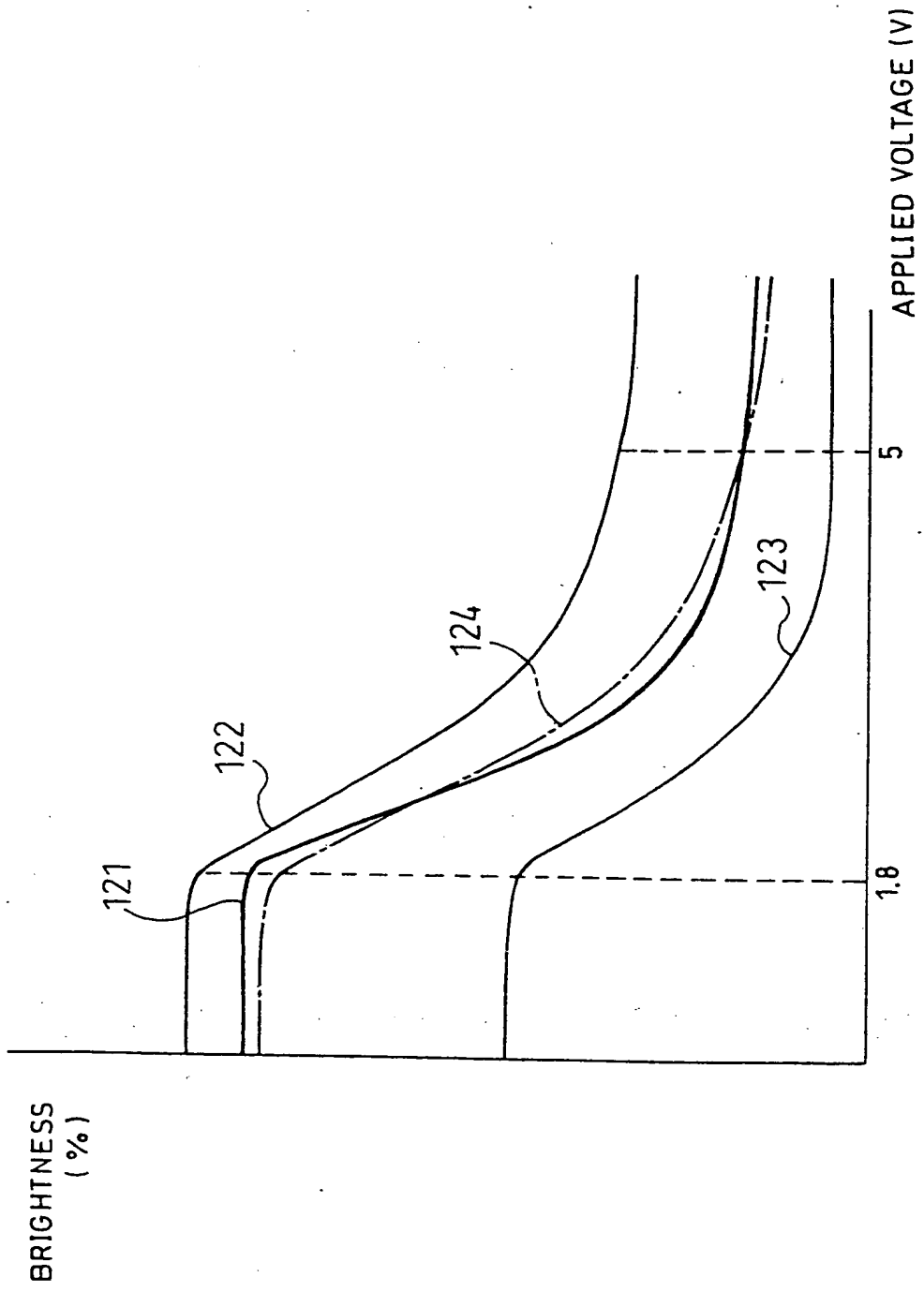


FIG. 4

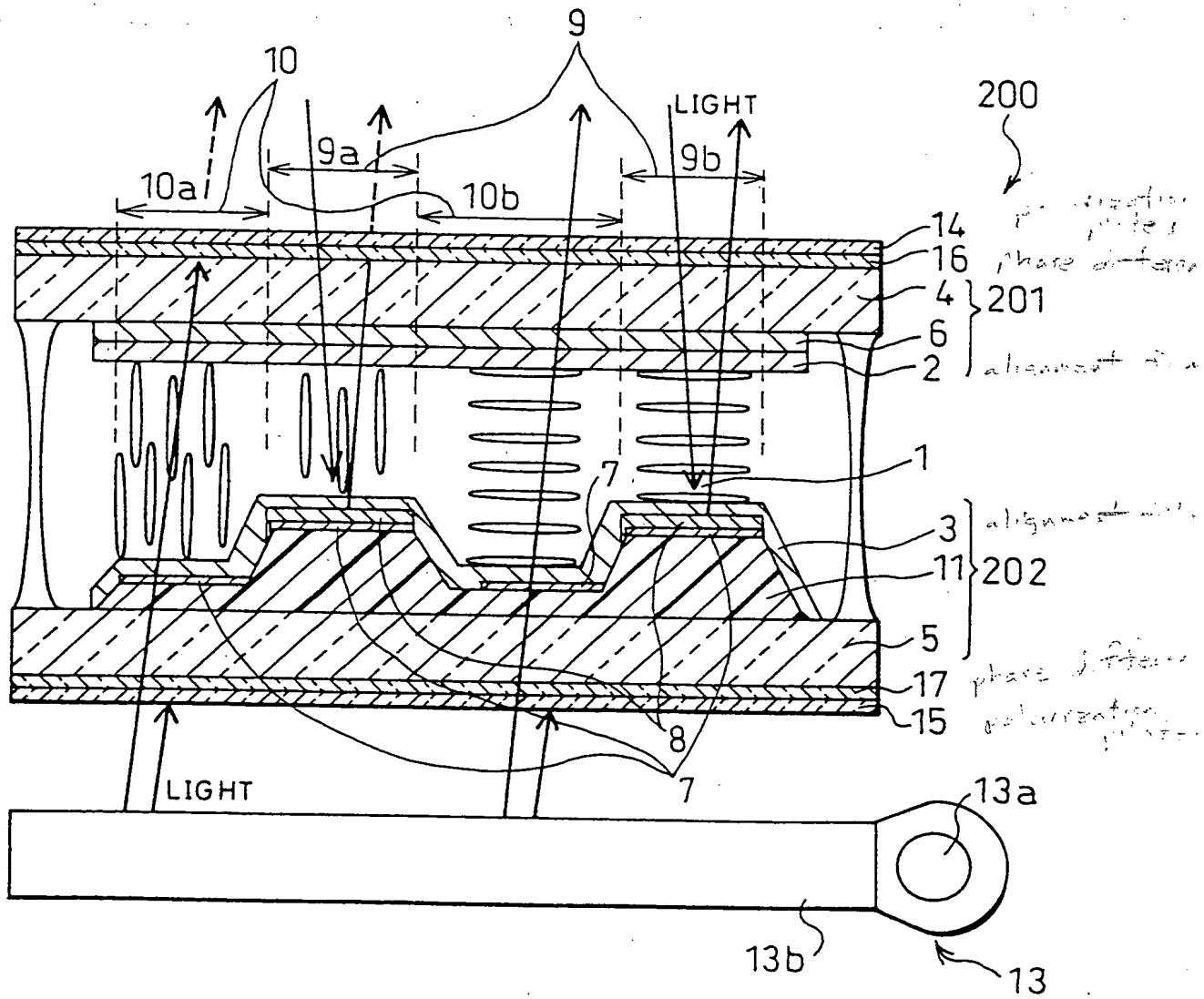
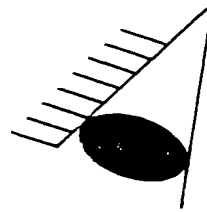


FIG.5

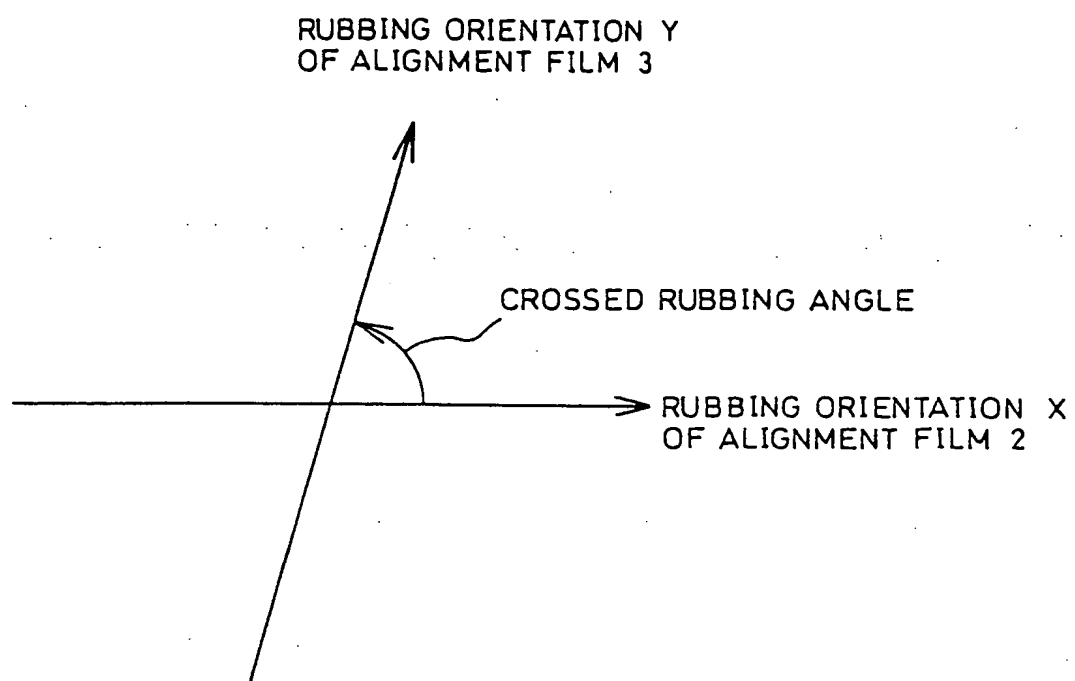


FIG. 6

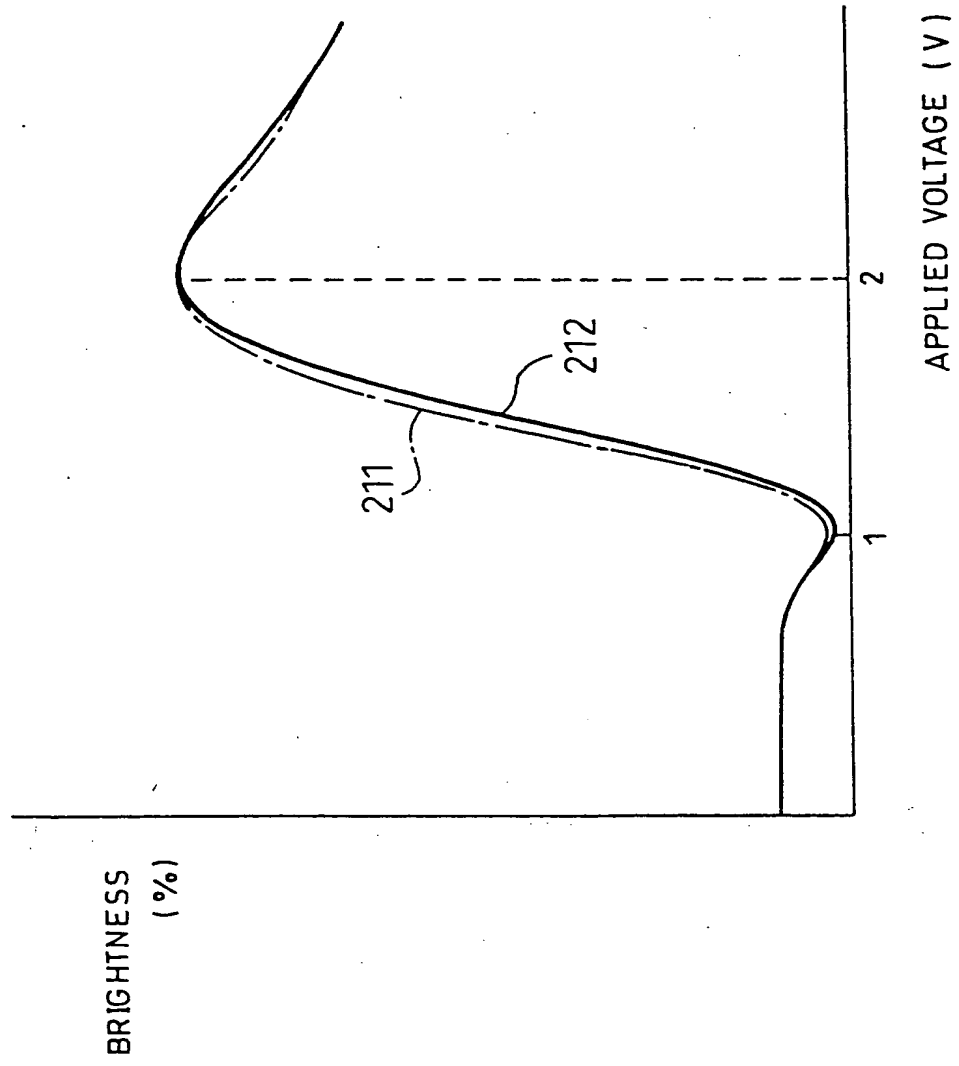


FIG. 7

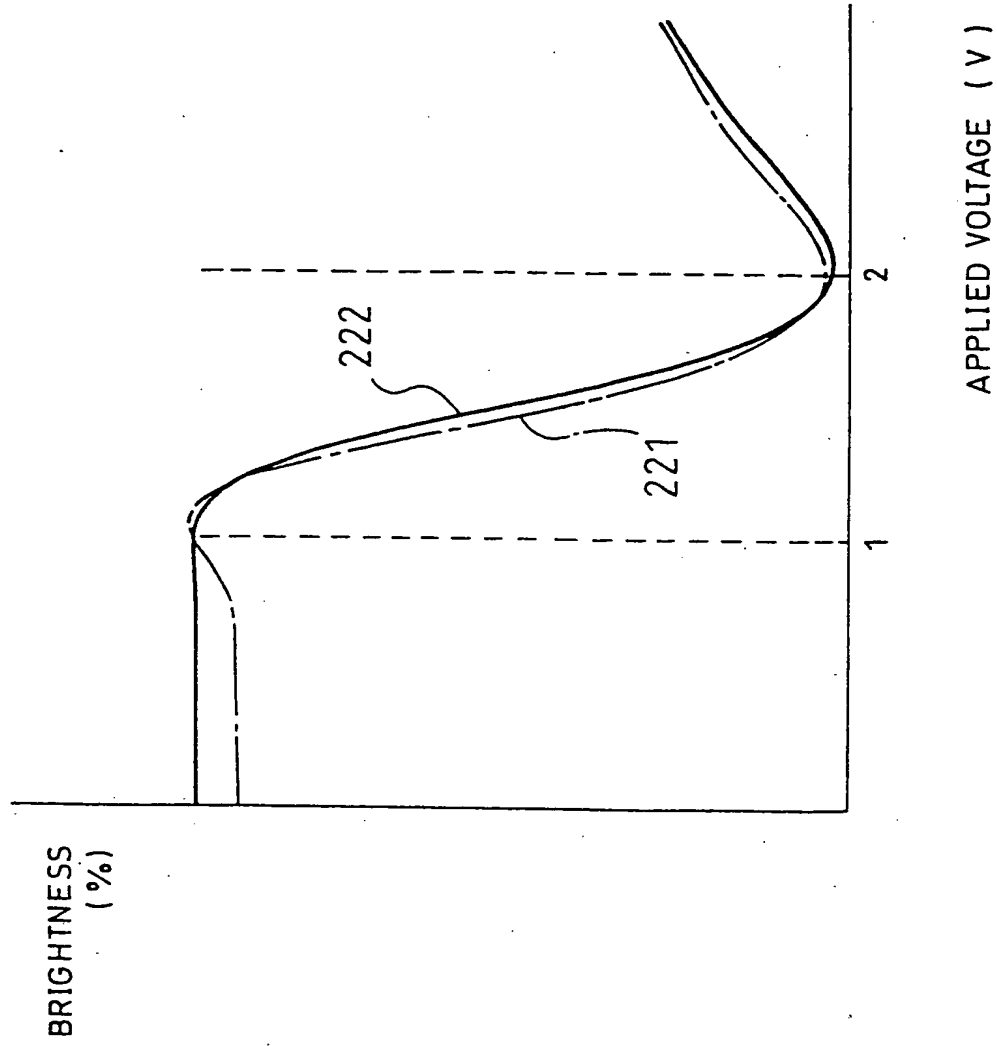


FIG. 8

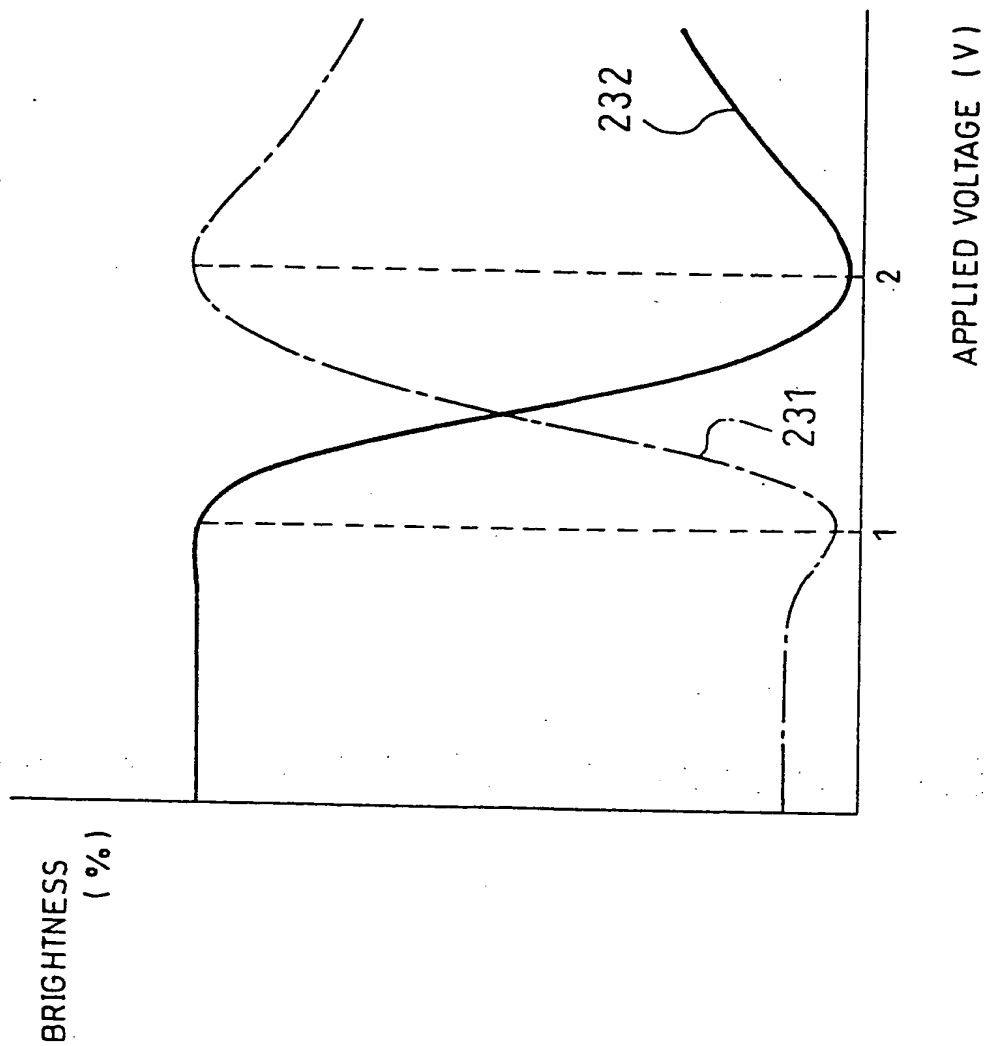




FIG. 9

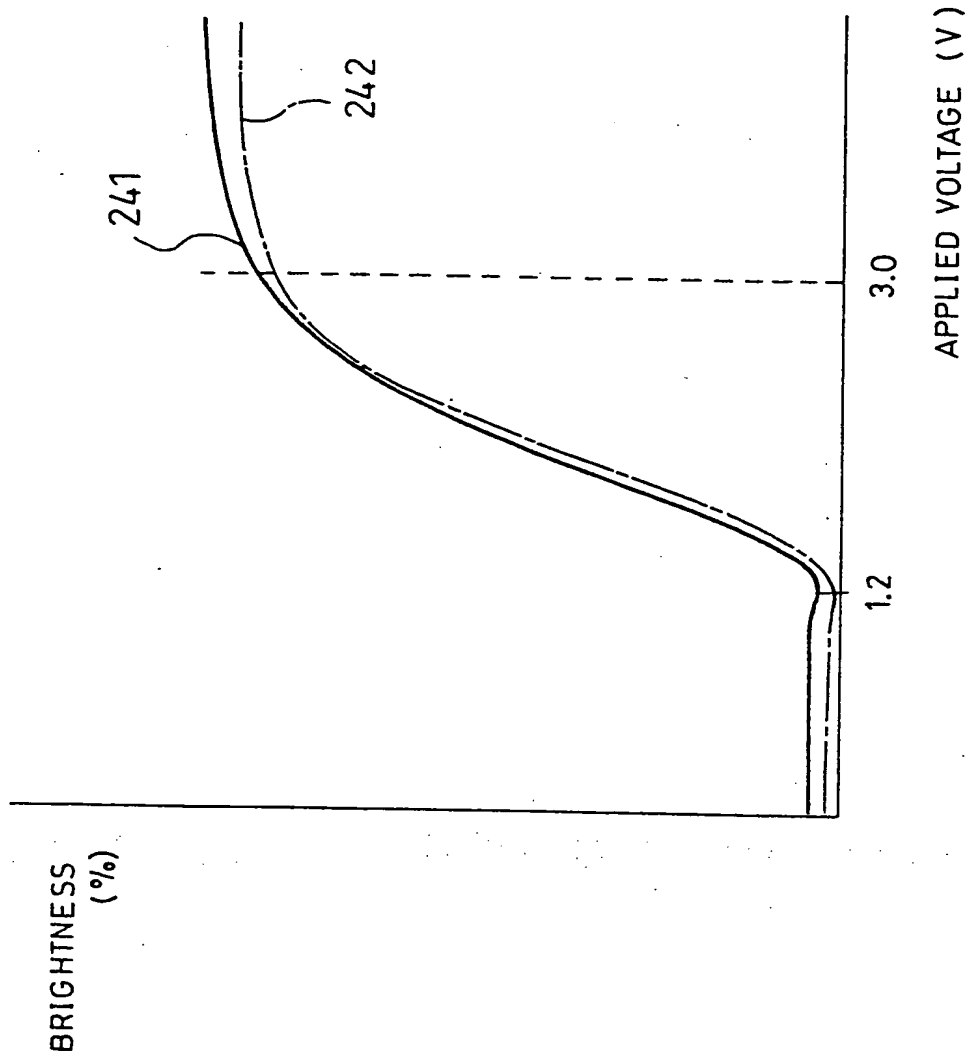


FIG.10

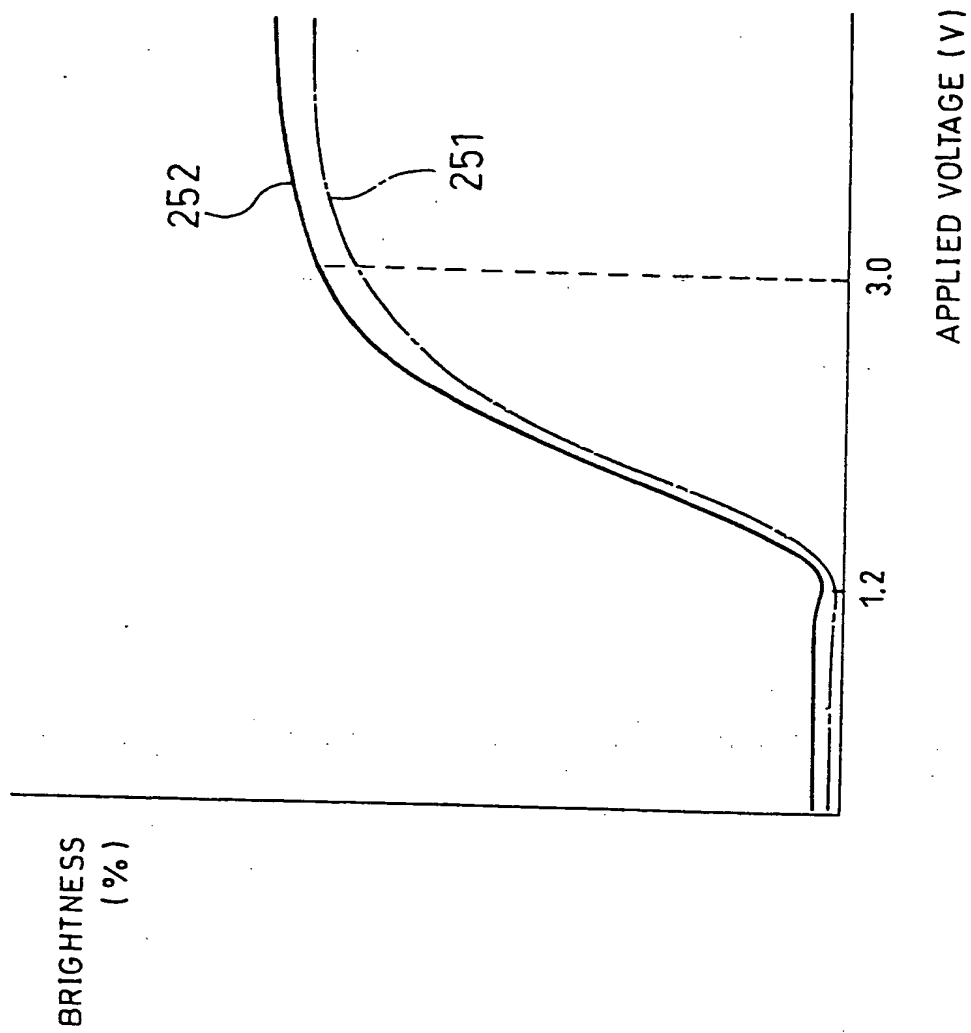


FIG.11

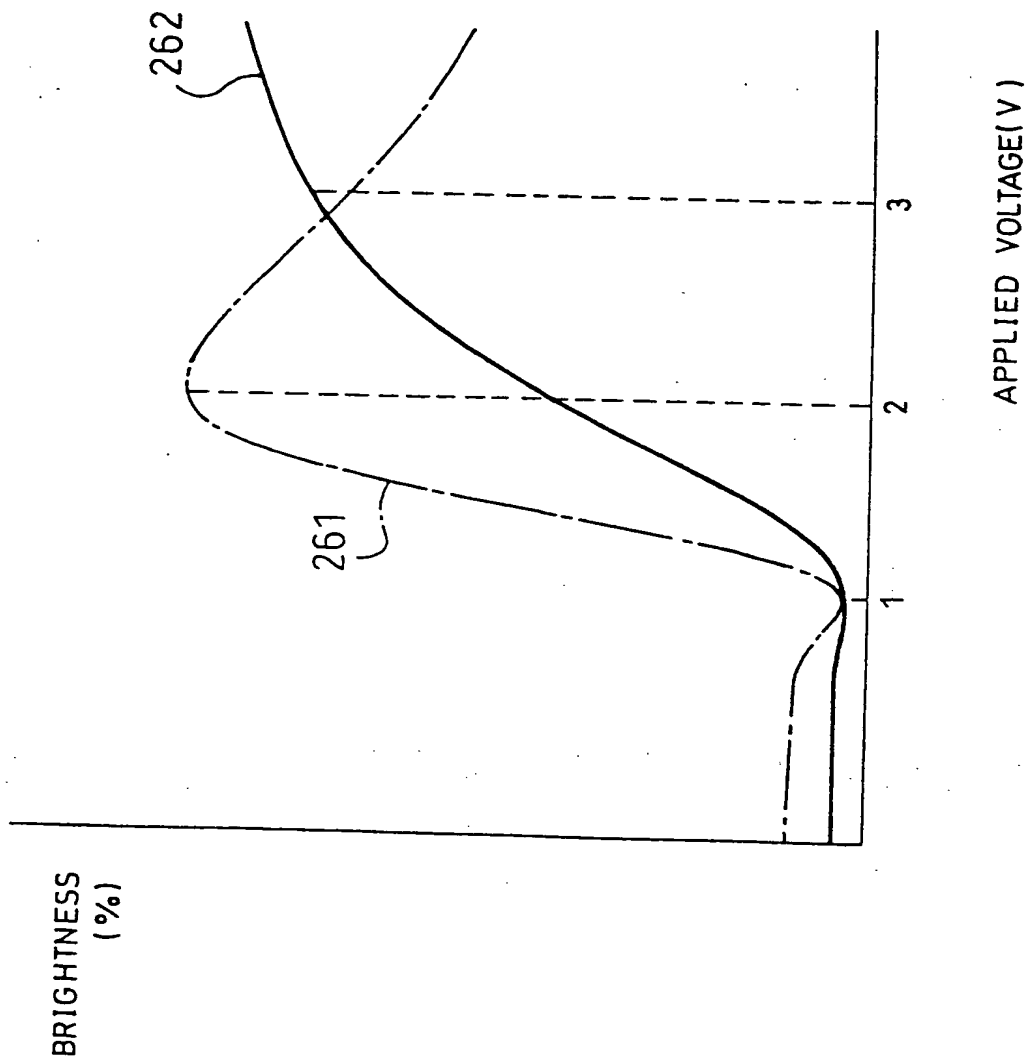


FIG.12

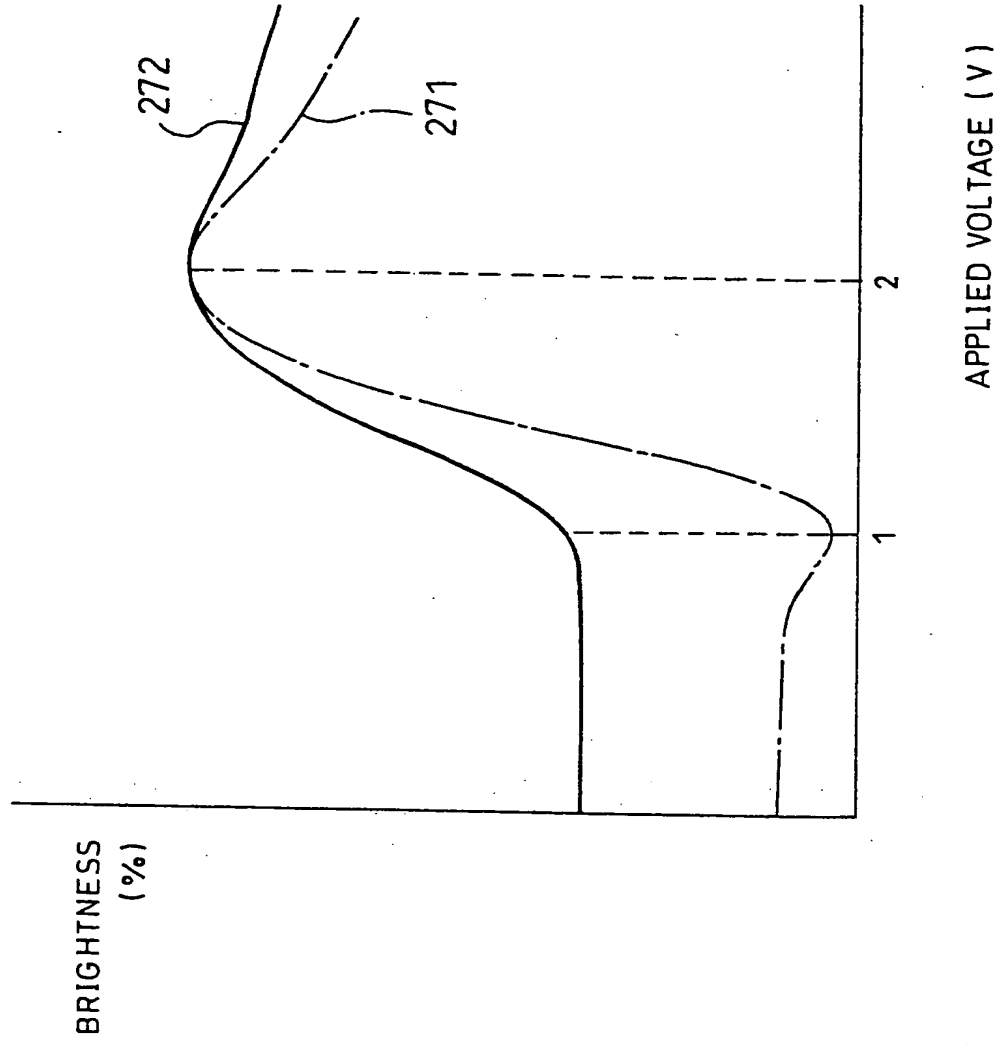


FIG.13

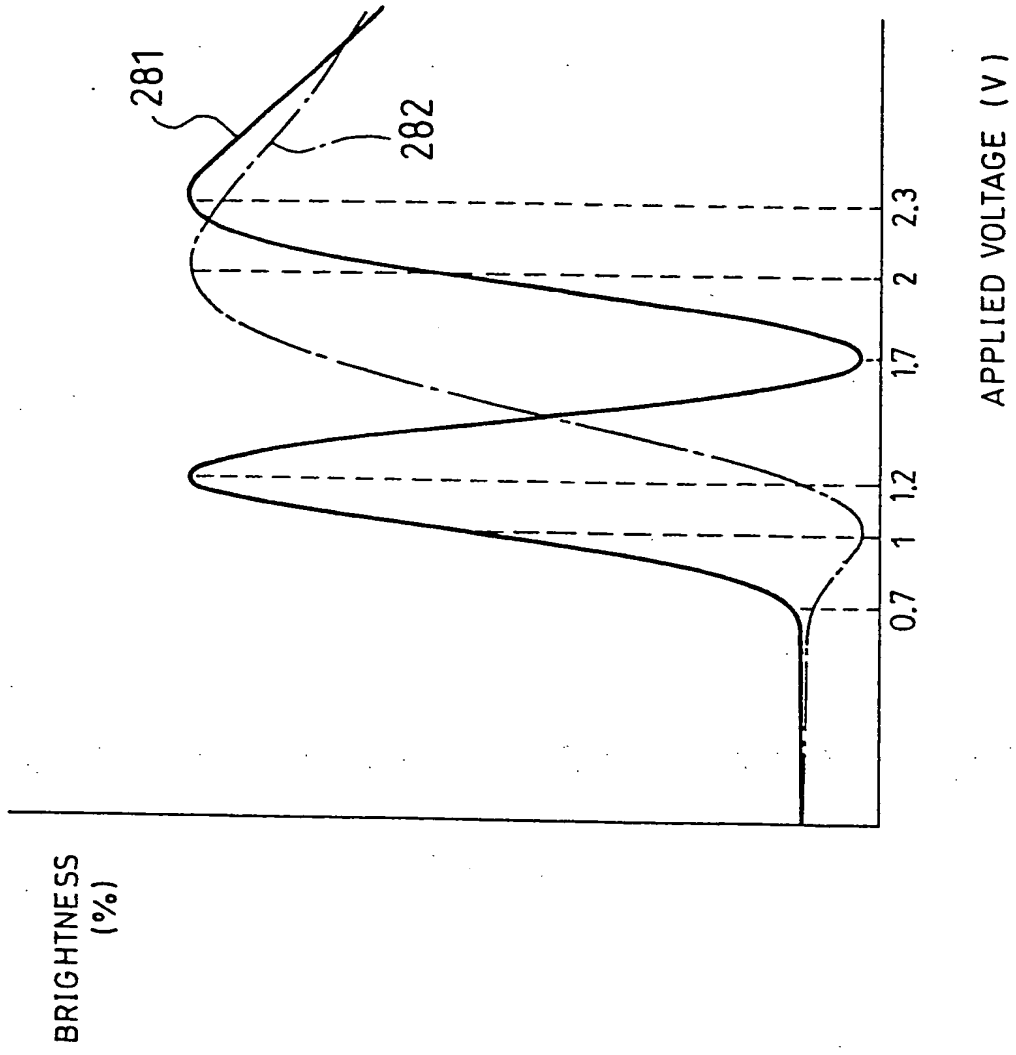


FIG.14

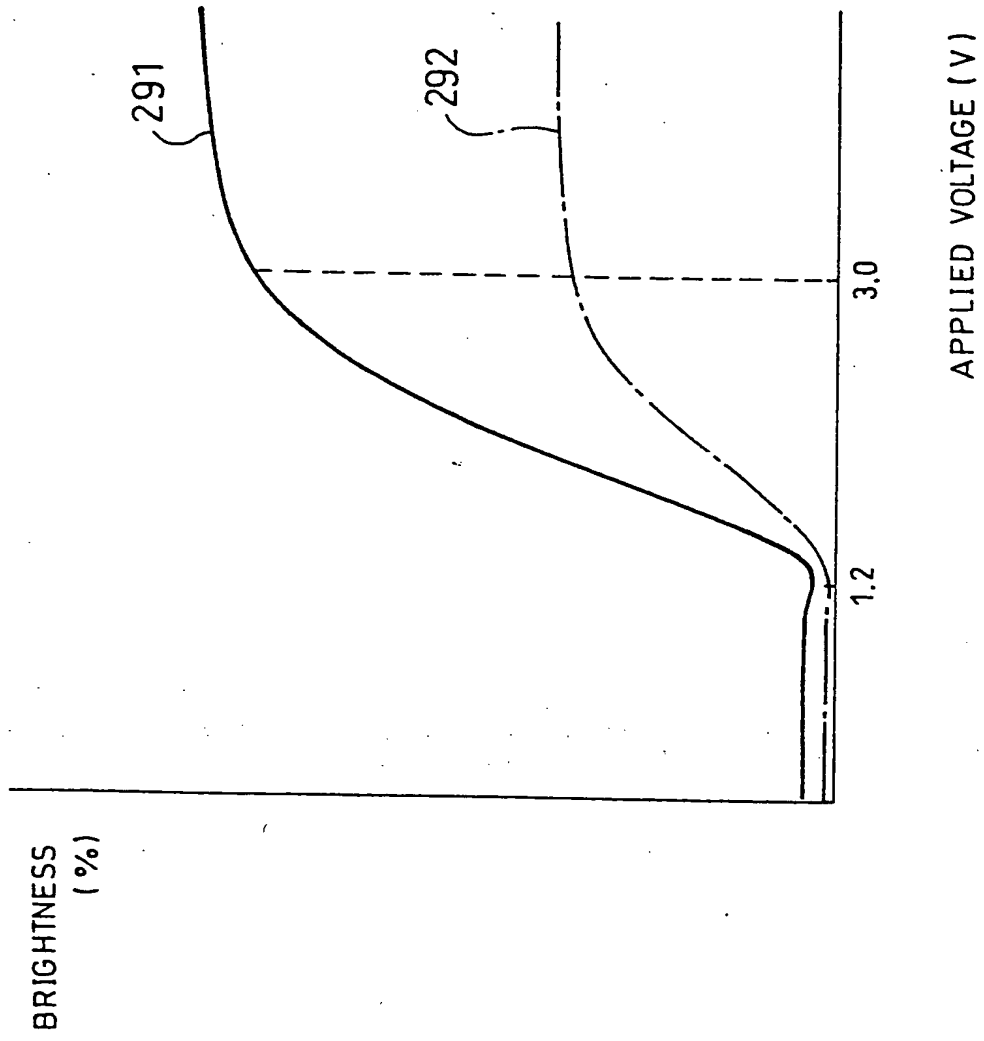


FIG.15

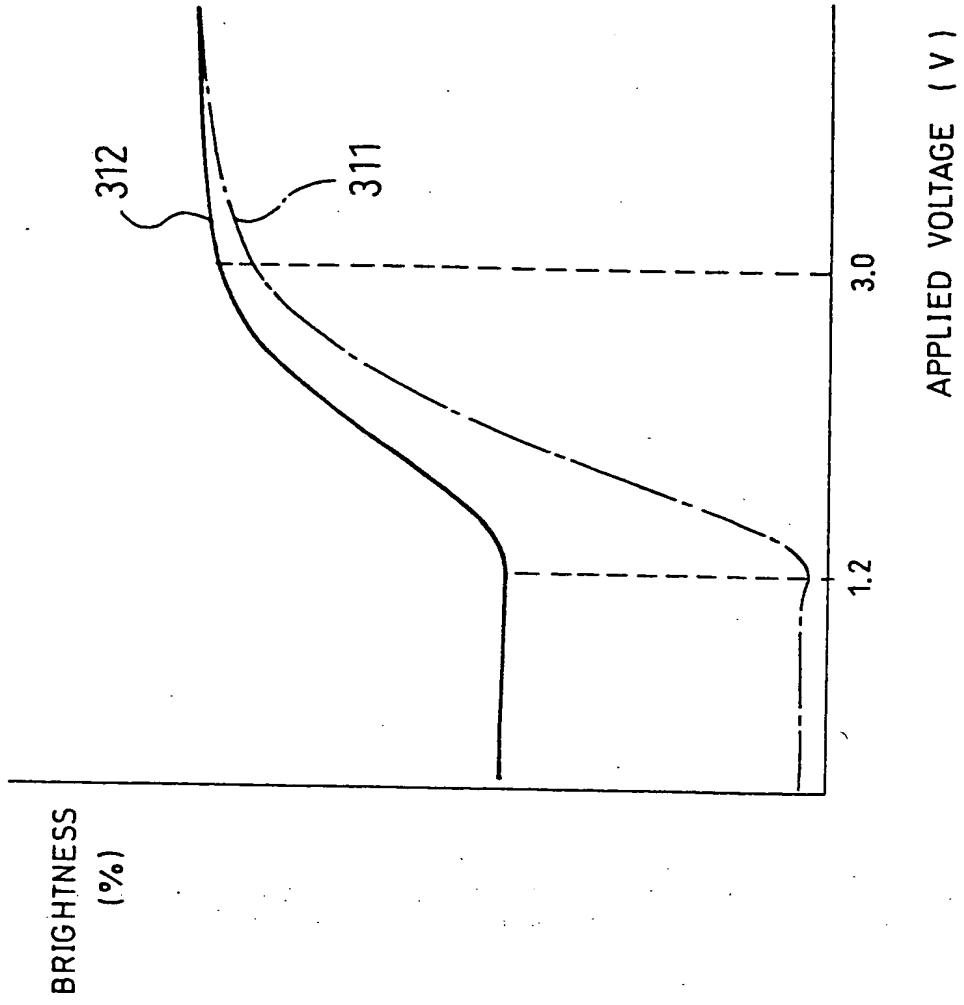


FIG.16

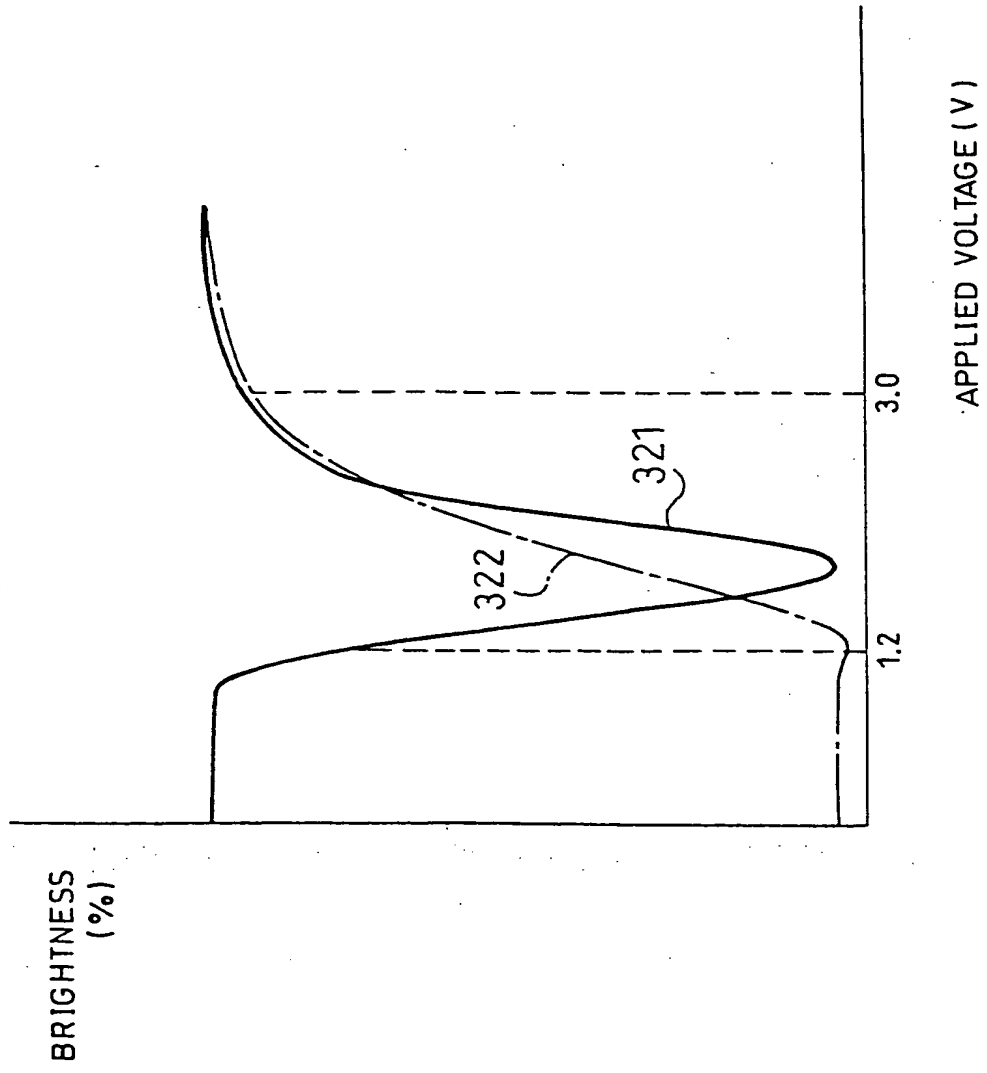
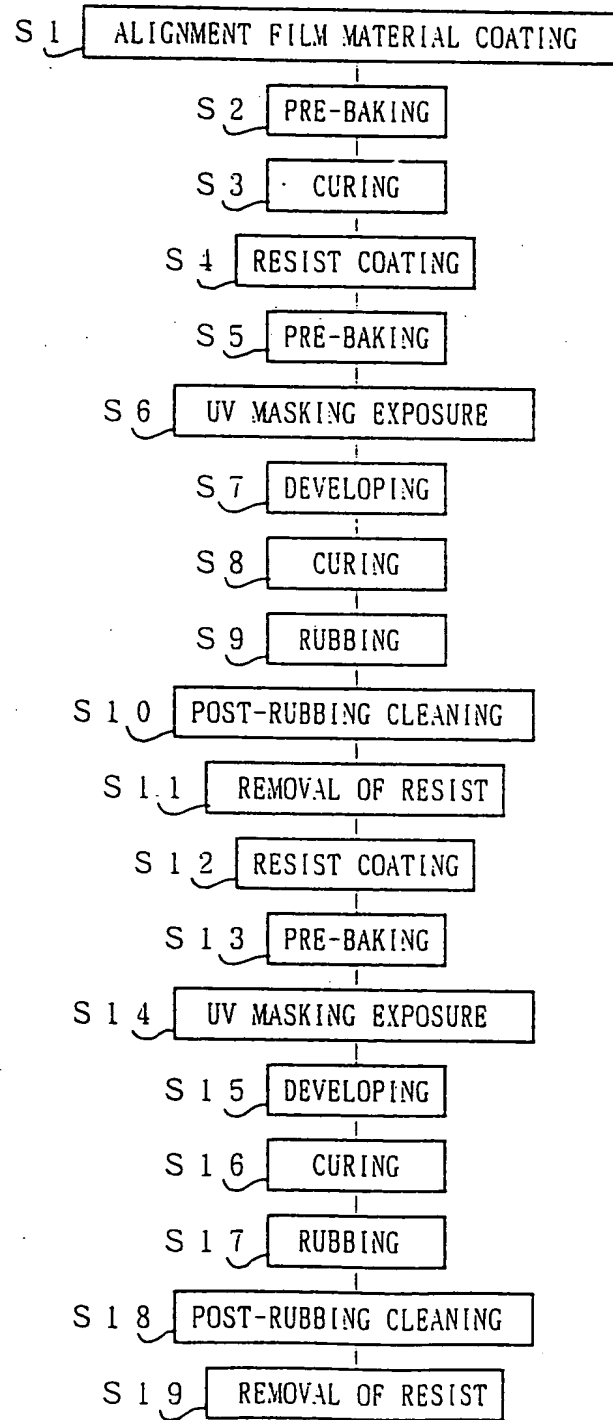




FIG. 17



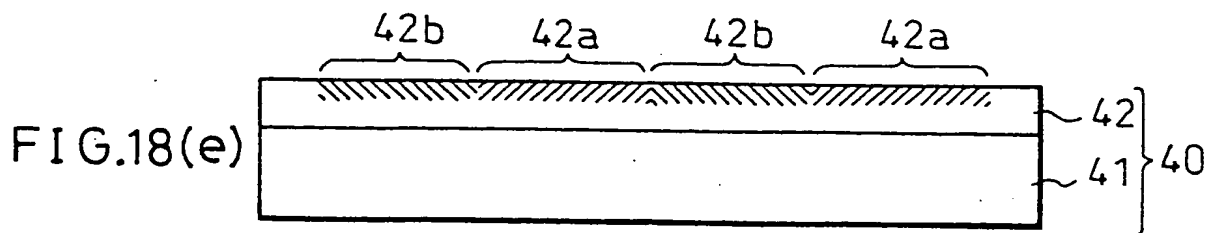
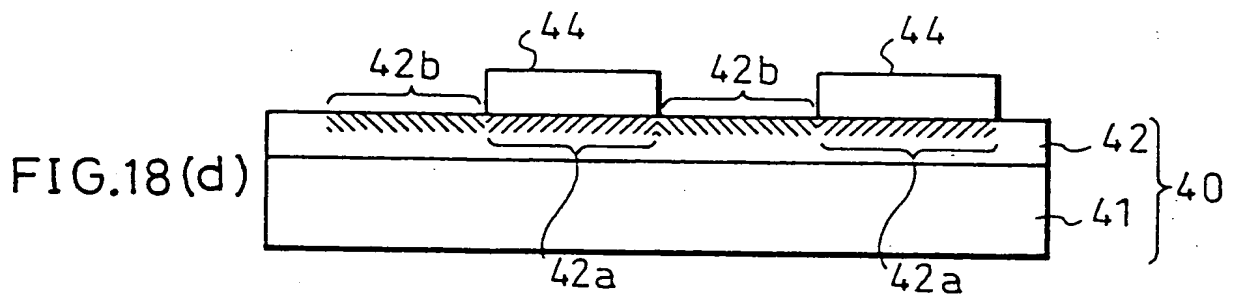
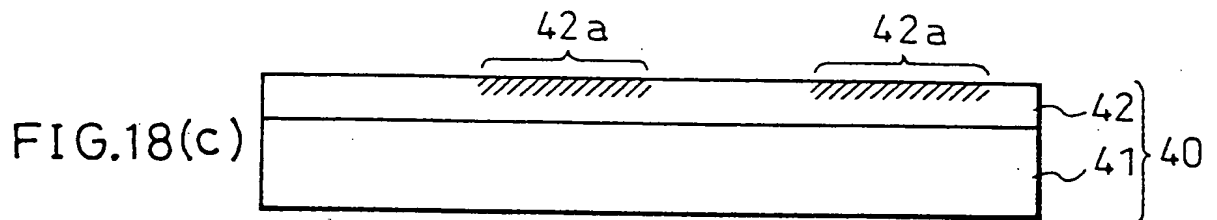
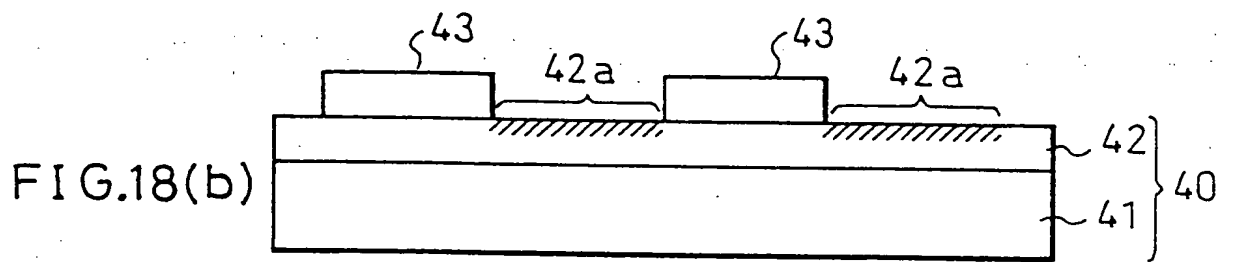
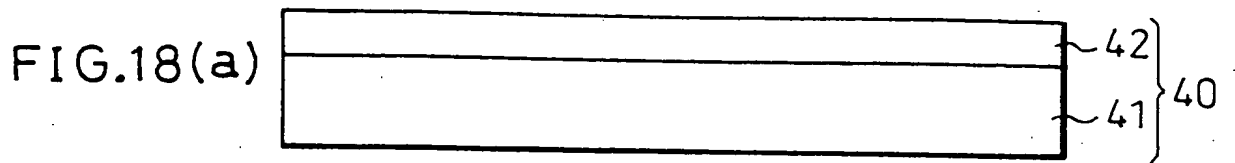


FIG. 19

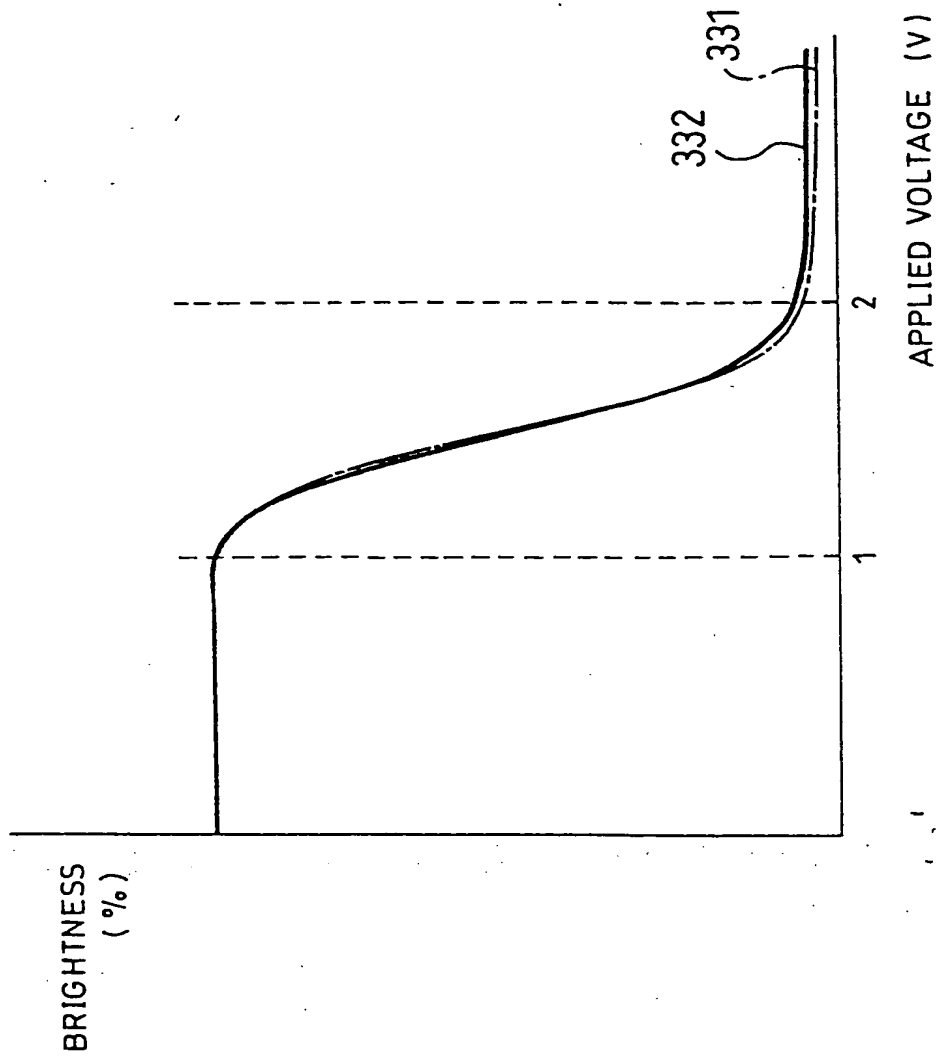
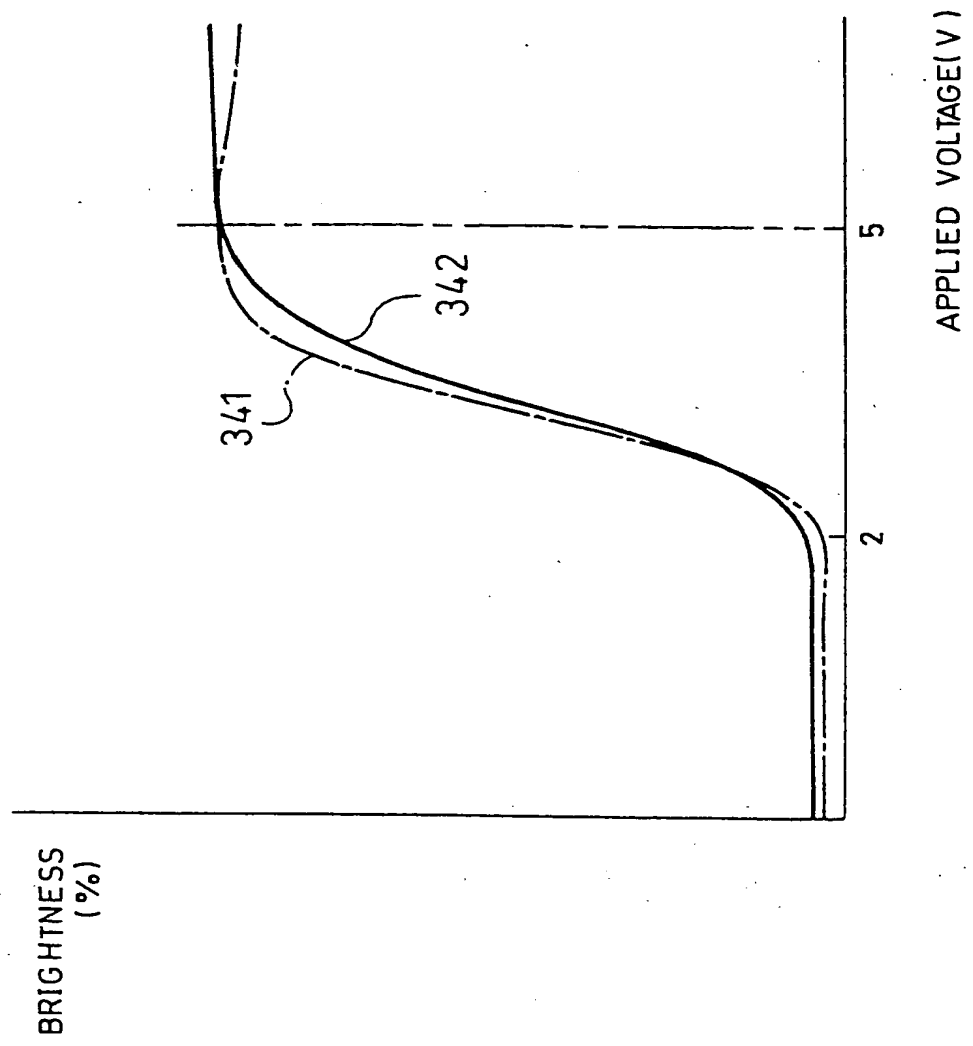


FIG. 20



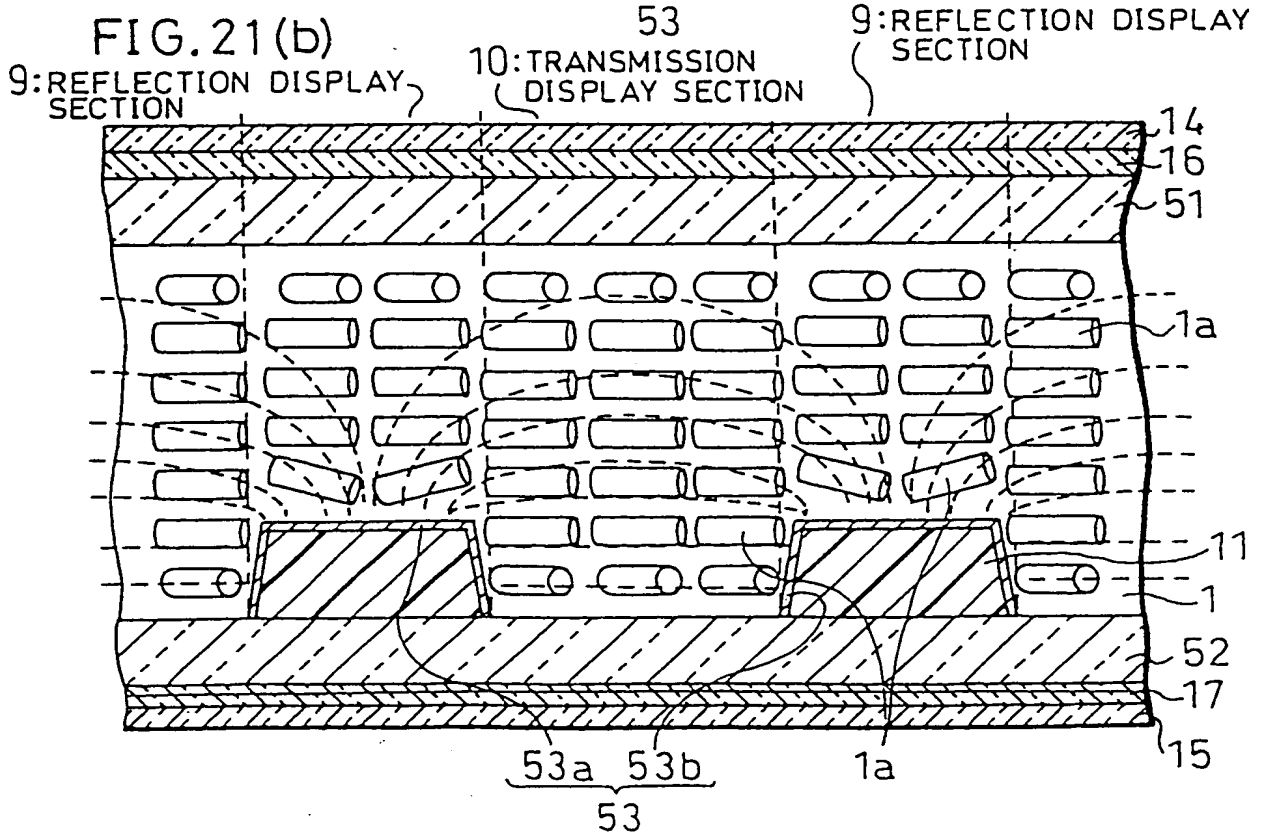
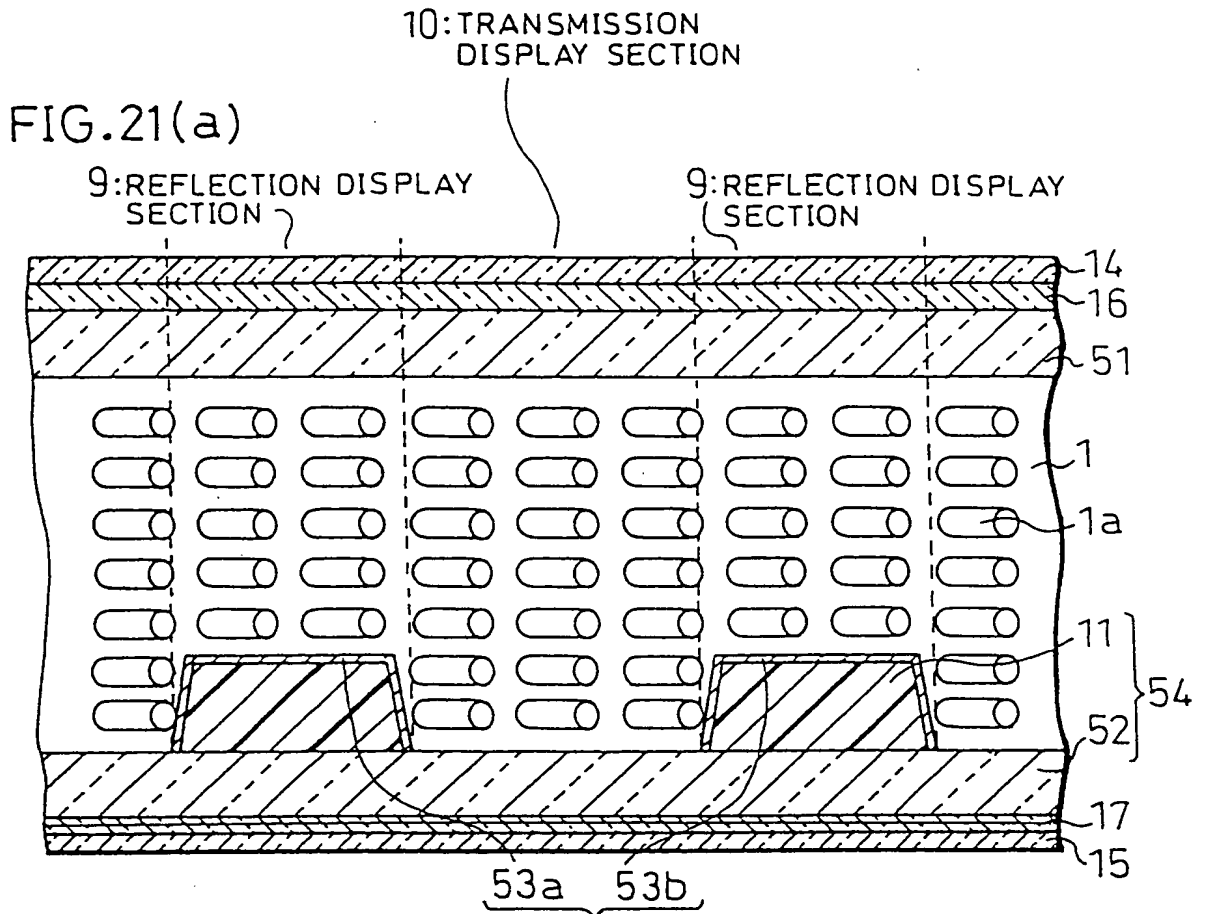


FIG. 22

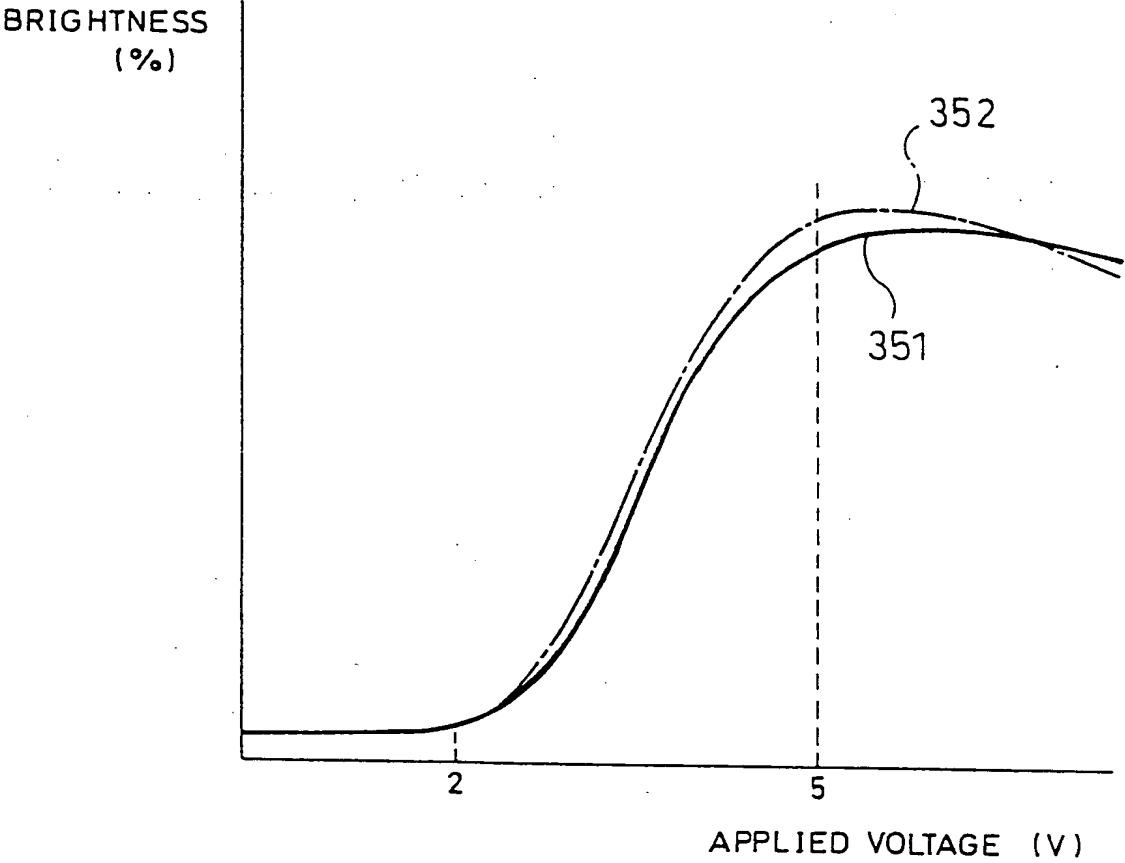


FIG.23(a)

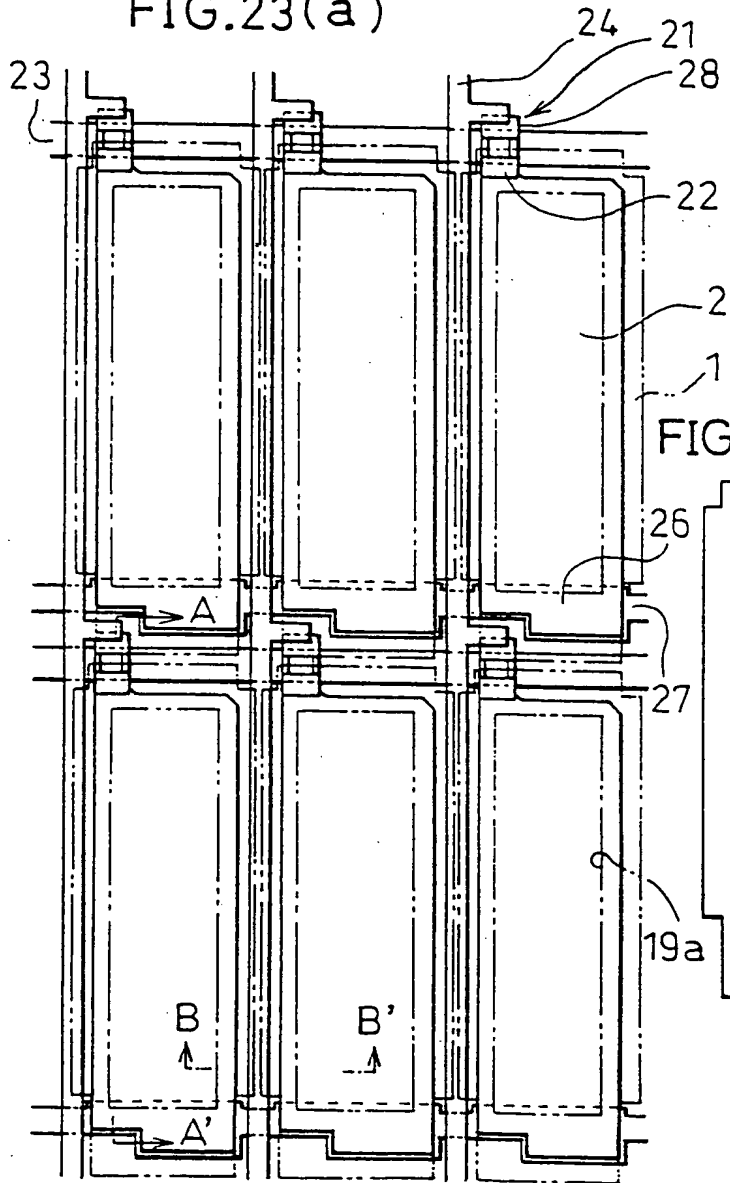


FIG.23(b)

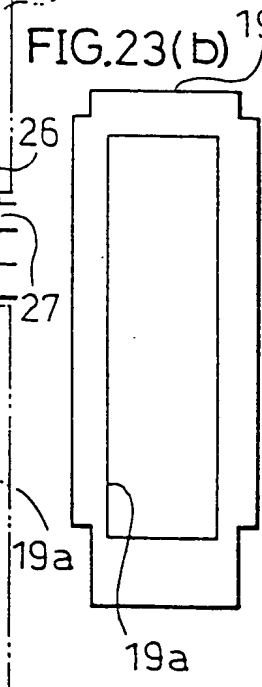


FIG.23(c)

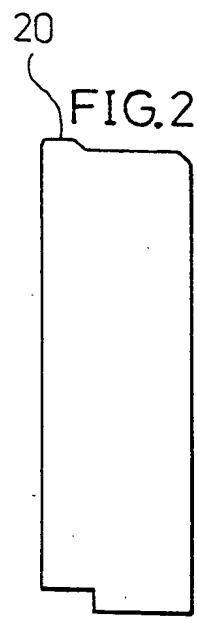


FIG. 24

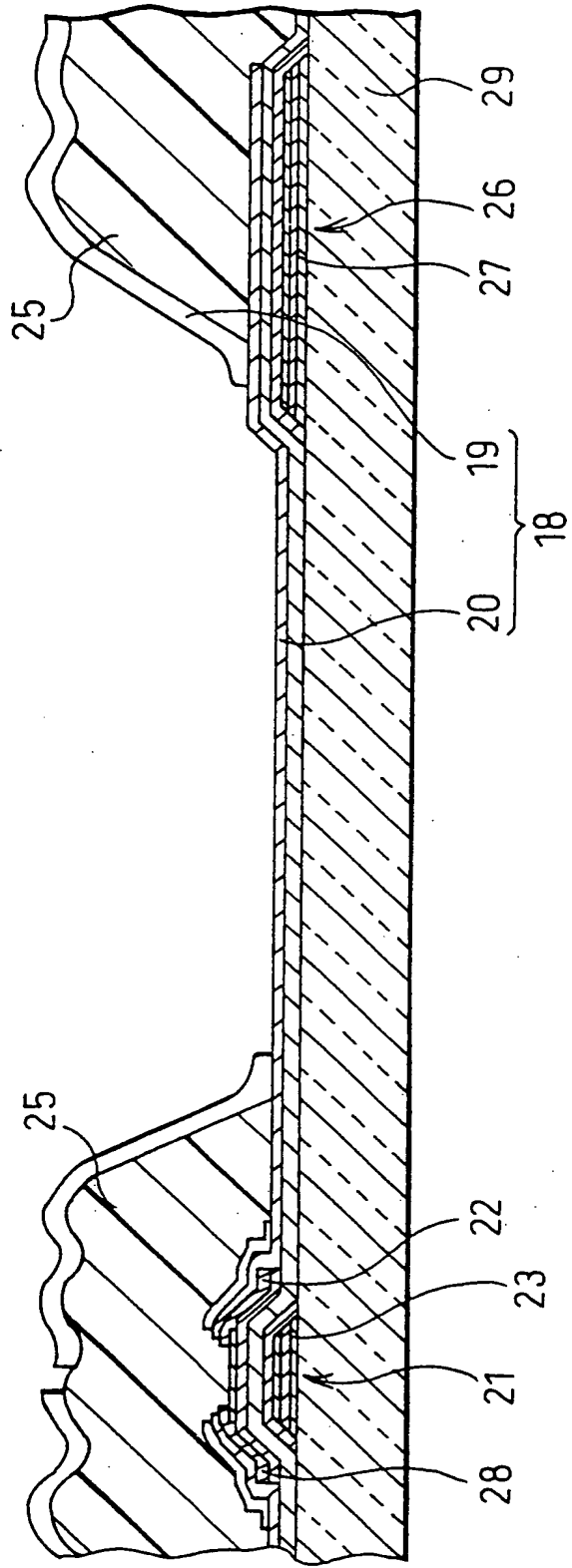
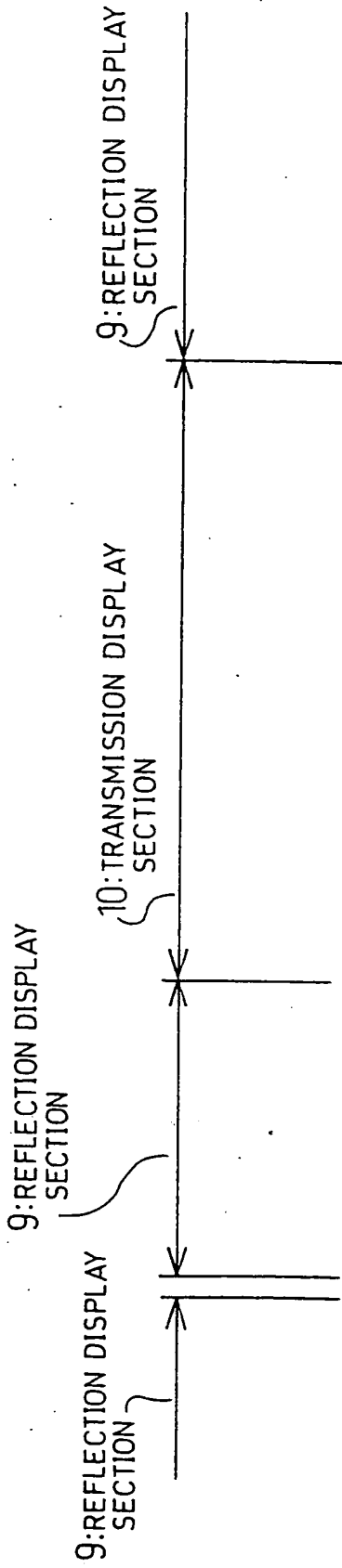




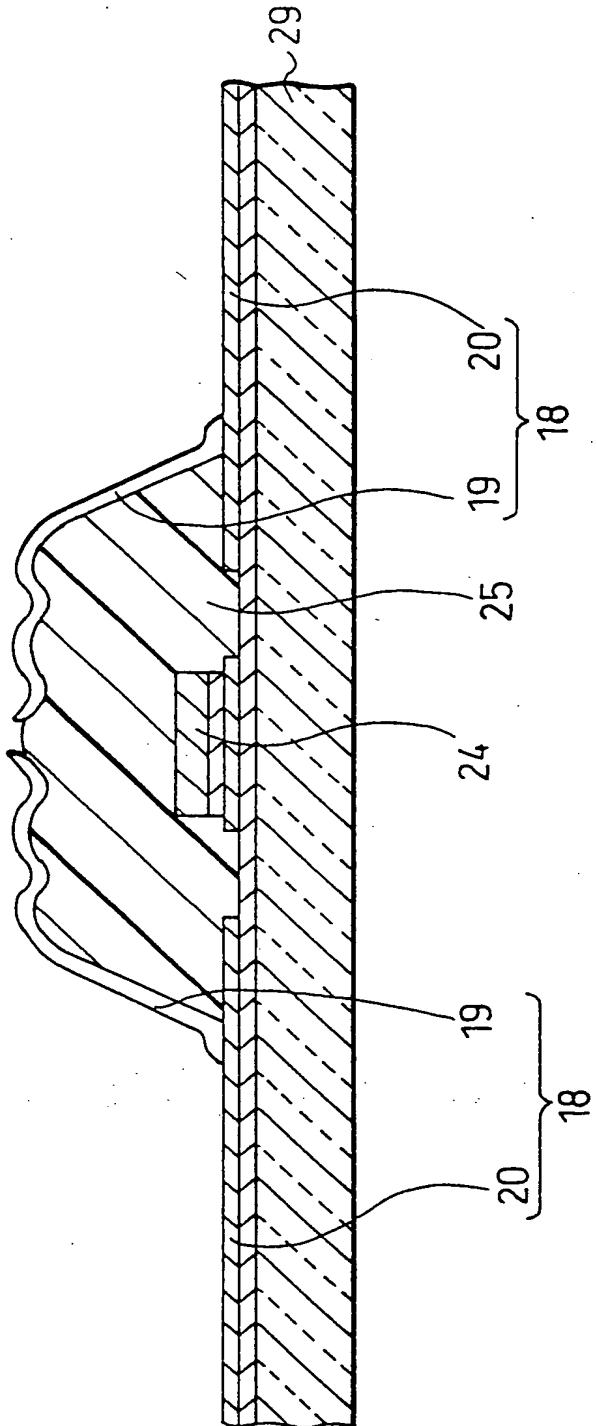
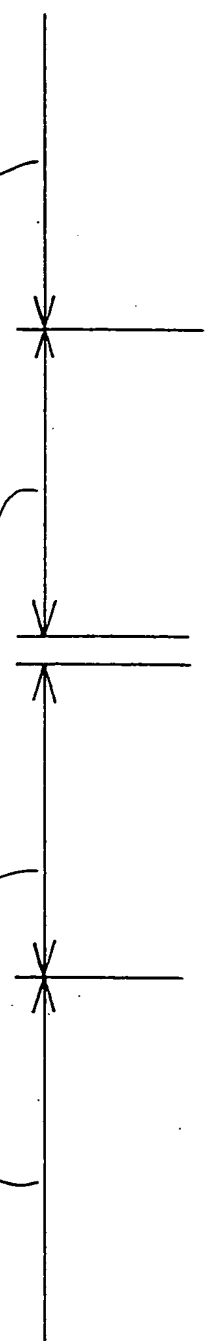
FIG. 25

10: TRANSMISSION DISPLAY SECTION

9: REFLECTION DISPLAY SECTION

9: REFLECTION DISPLAY SECTION

10: TRANSMISSION DISPLAY SECTION



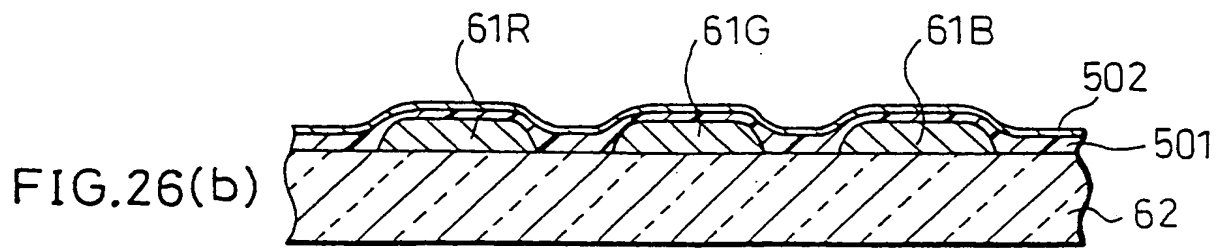
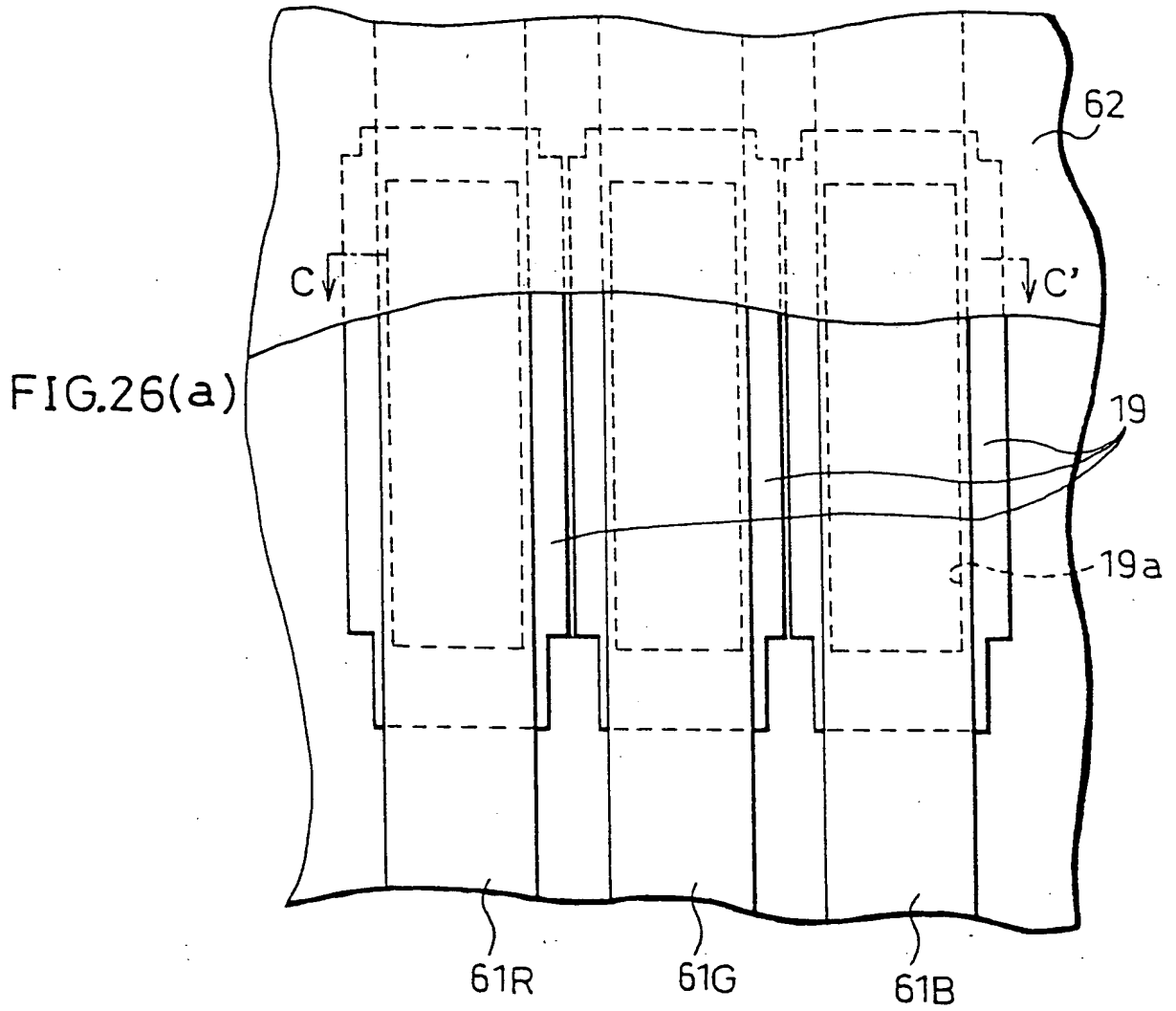


FIG. 27

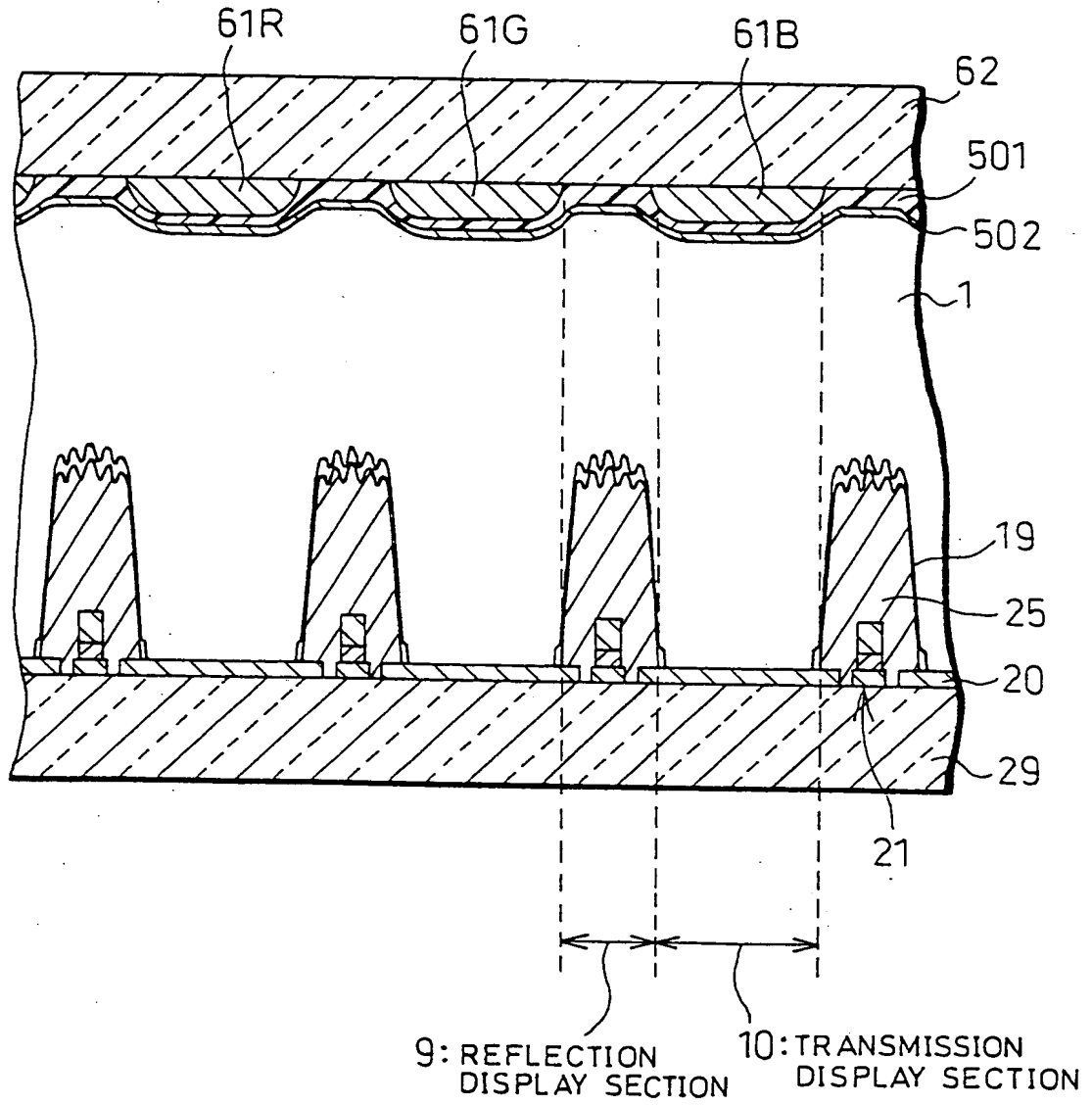
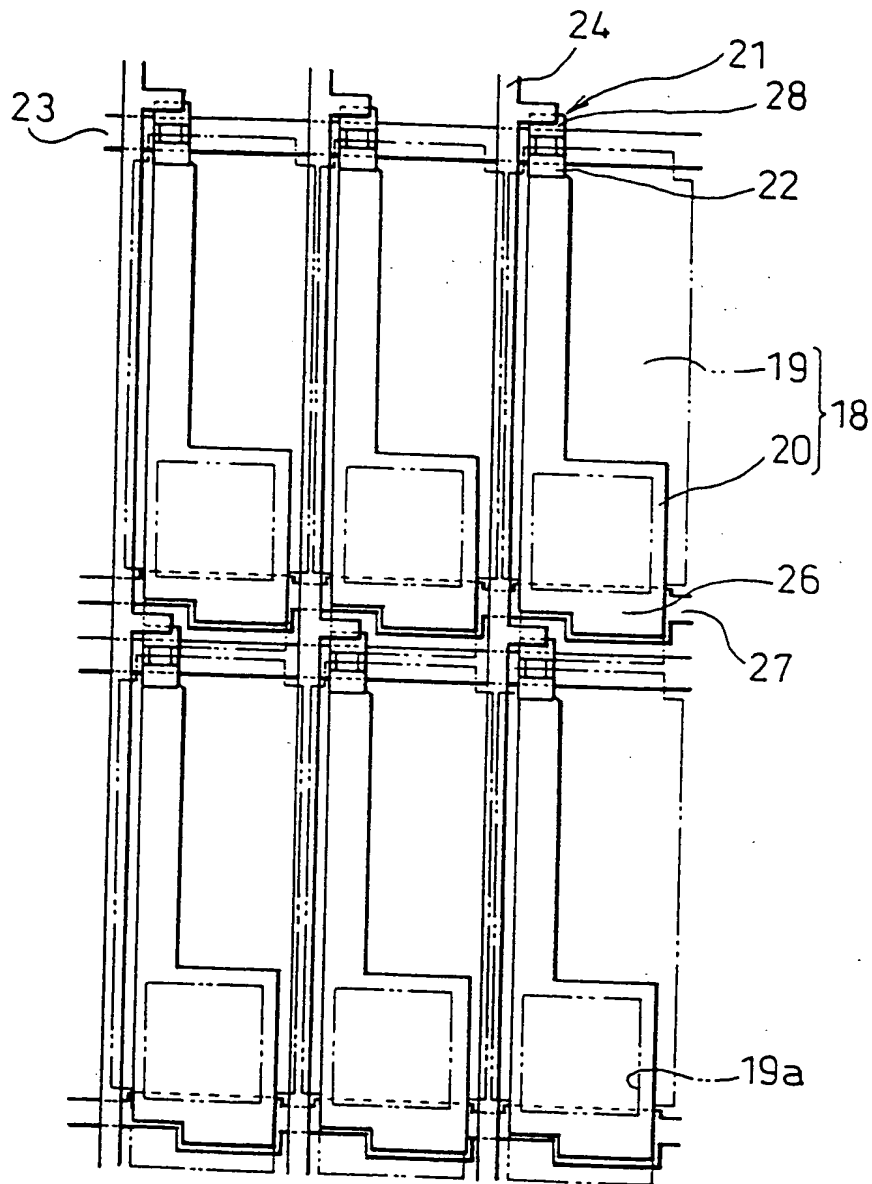


FIG. 28



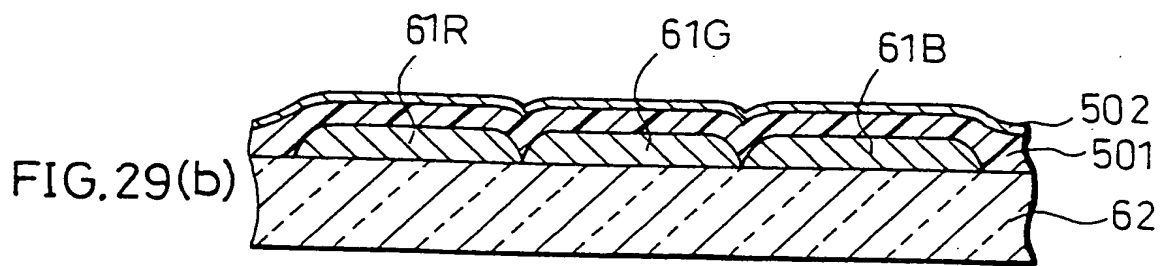
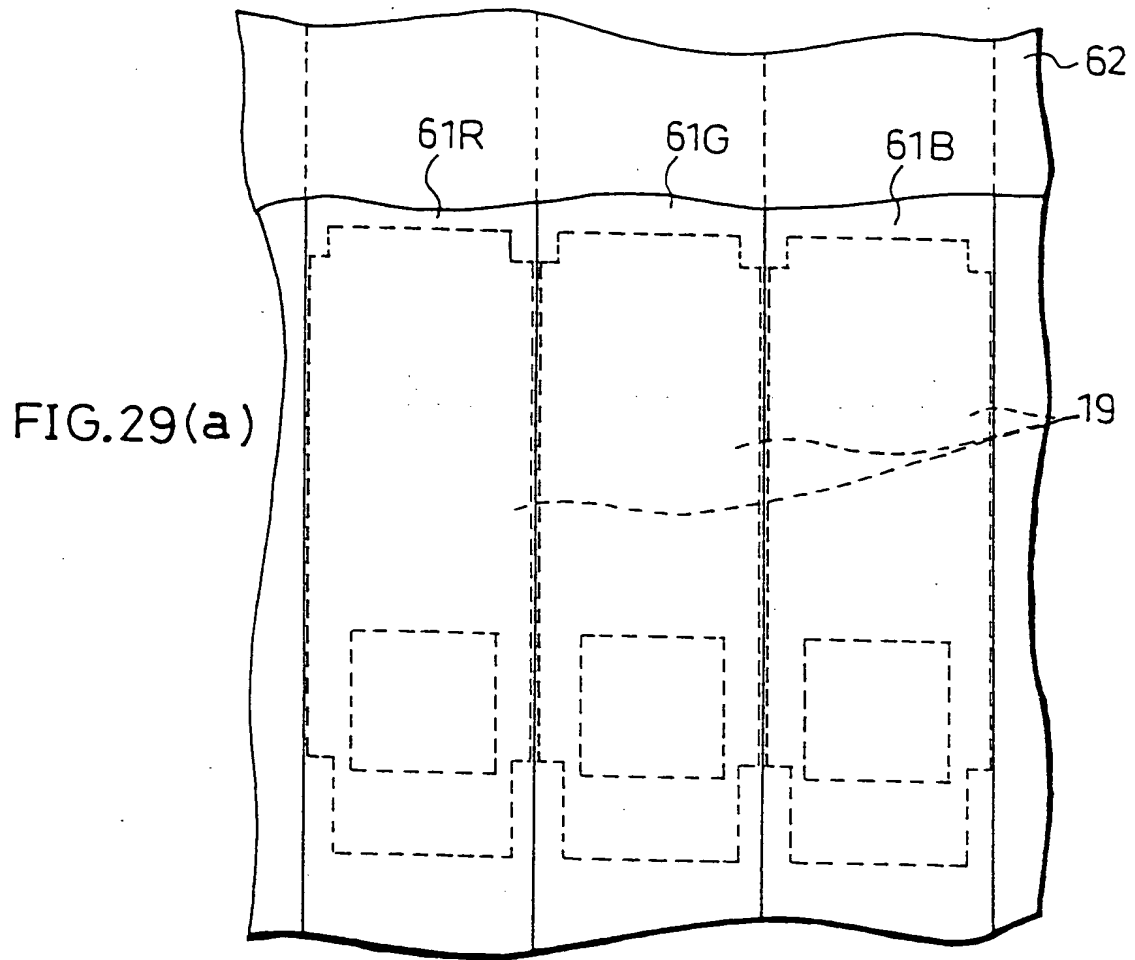


FIG. 30

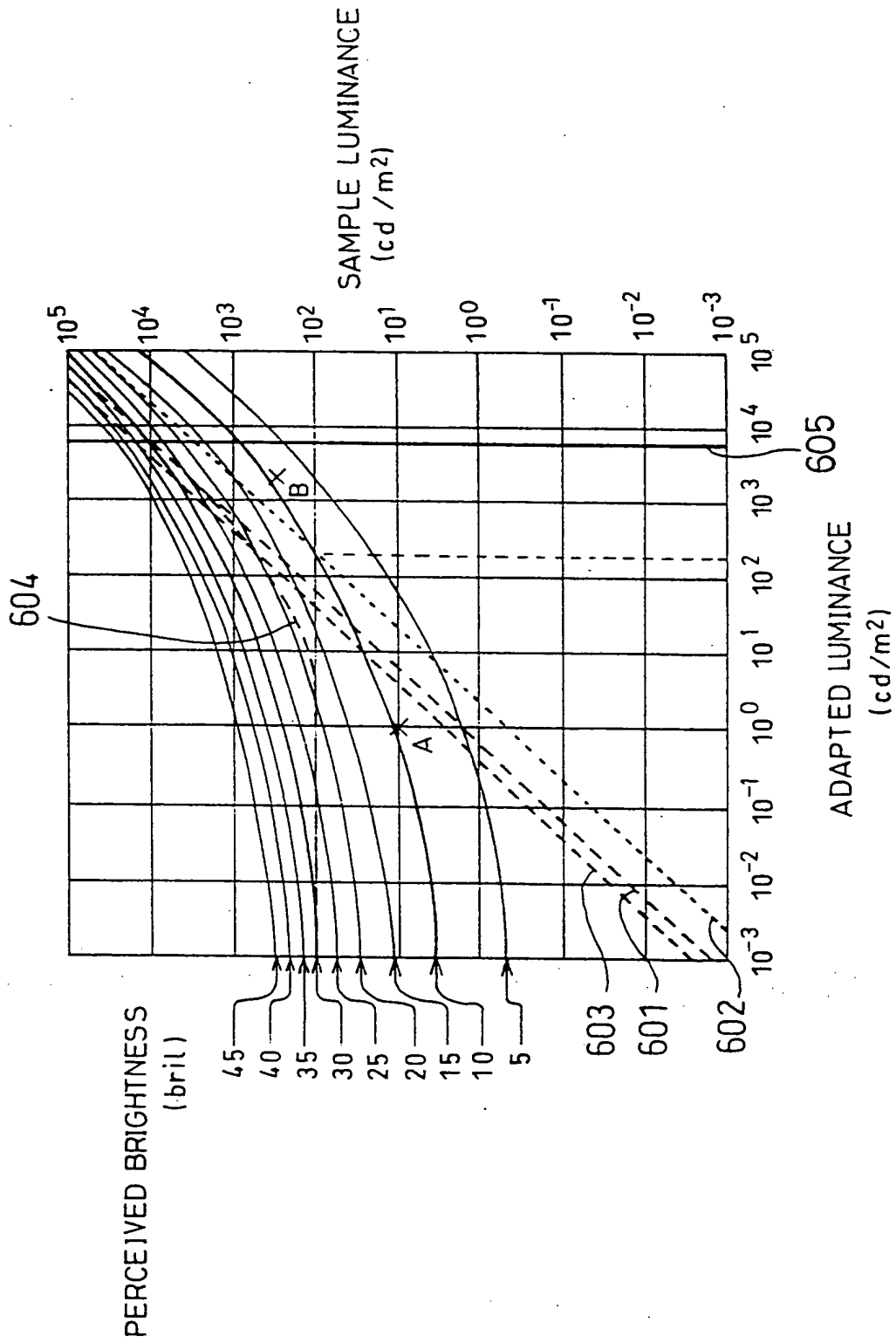


FIG. 31

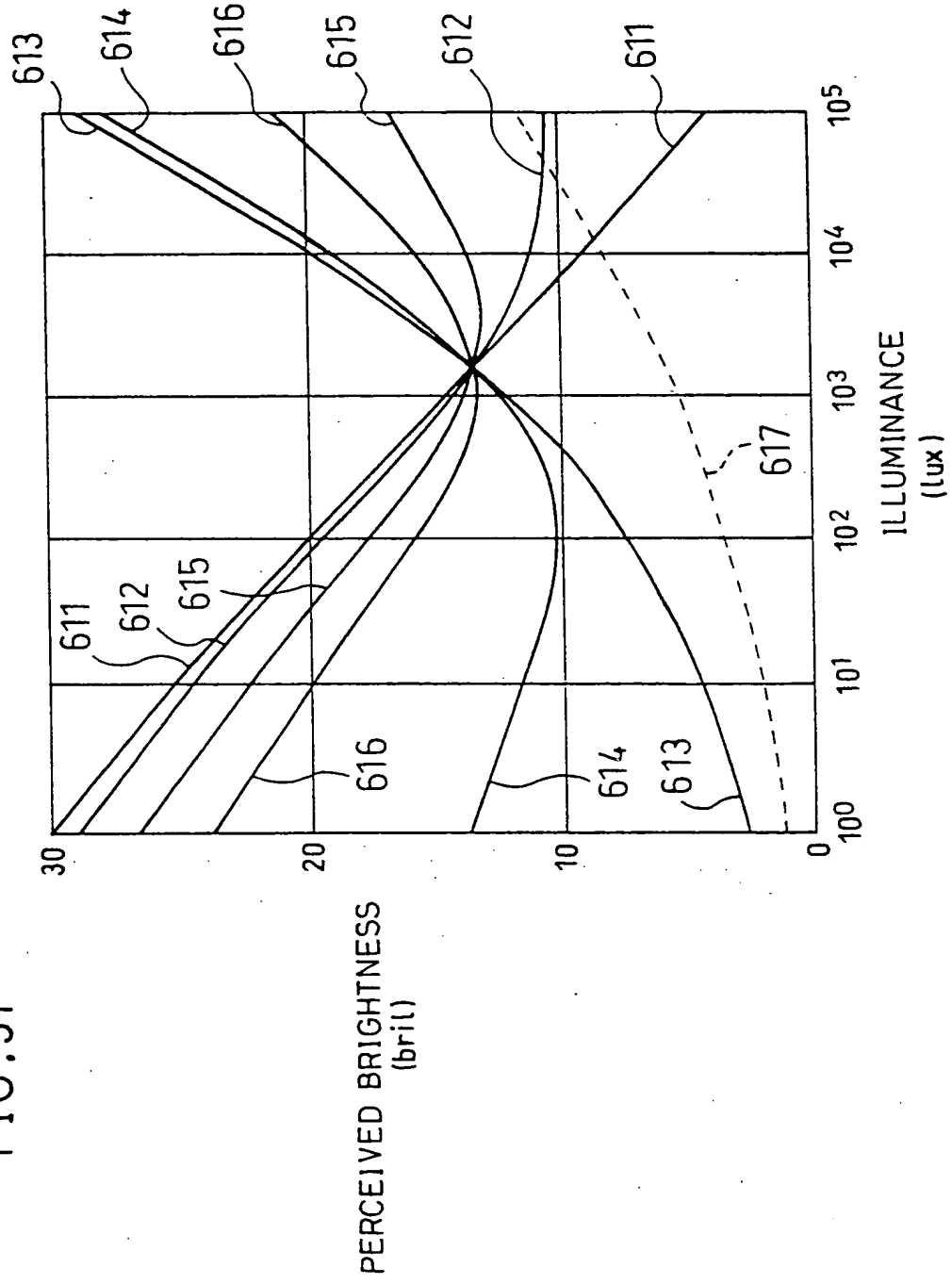
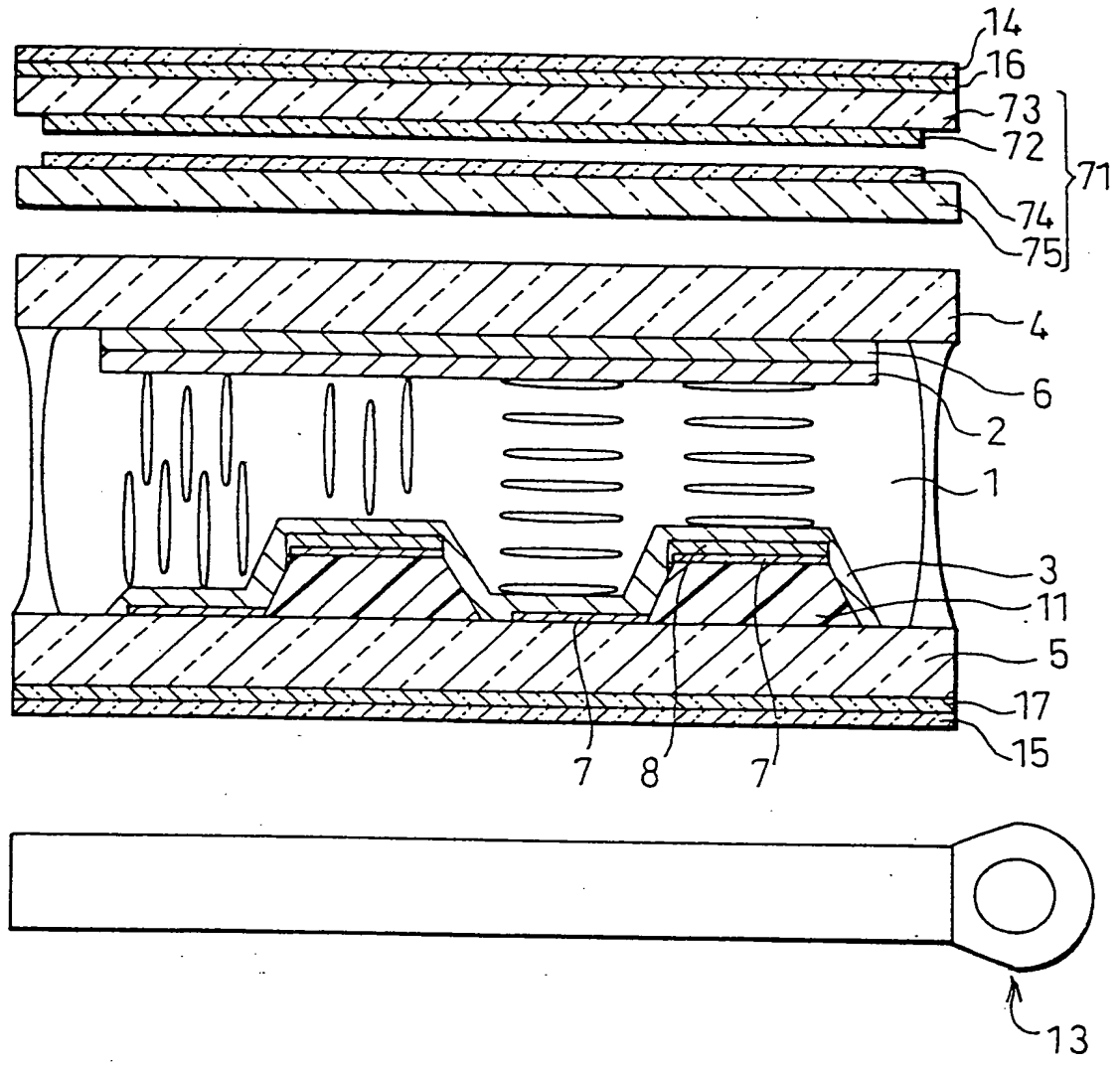


FIG. 32



E m... ..